

Barudan

900XLC Parts Book

(version 2)

This parts book covers the 2nd series of Meistergram 900XLC machines (with tubular arm system) built from 1995, with serial numbers starting at 95112F.

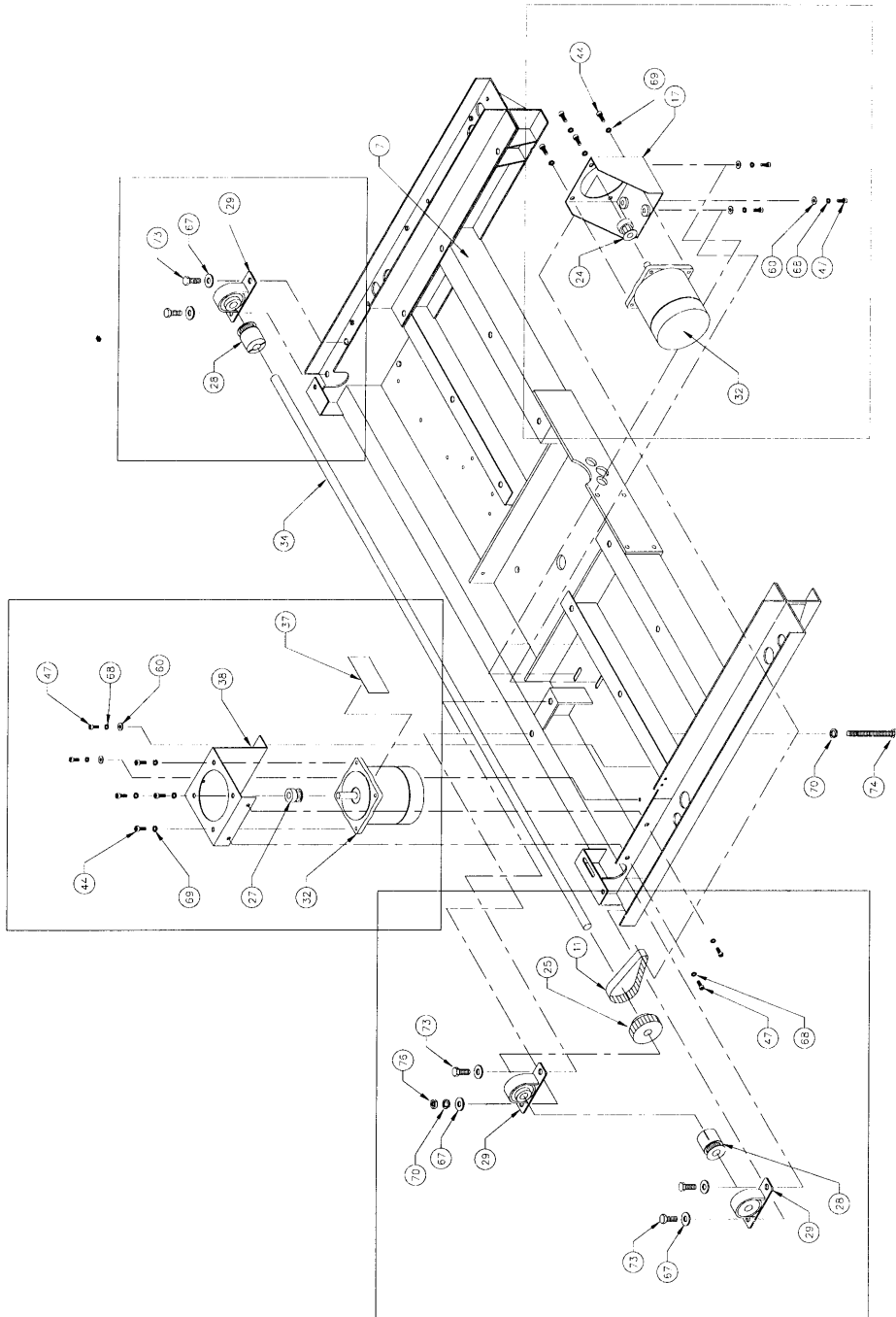
Copyright 1991, 2002 Barudan America Inc.

CHAPTER 3

PARTS IDENTIFICATION

- BASE ASSEMBLY
- BASE ASSEMBLY - Y DRIVE UNIT
- HEAD INSTALLATION
- TABLE TOP ASSEMBLY
- X DRIVE BELT
- MAIN BASE
- LIMIT SWITCH ASSEMBLY
- CENTER & LEFT COVER THREAD STAND ASSEMBLY
- THREAD STAND ASSEMBLY
- HEAD ASSEMBLY
- MAIN MOTOR ASSEMBLY
- PANTOGRAPH ARM ASSEMBLY
- MEISTERGRAM HOOP ADAPTER ASSEMBLY
- CRT ARM ASSEMBLY
- TENSION ASSEMBLY
- BOBBIN WINDER TENSION ASSEMBLY
- BOBBIN WINDER ASSEMBLY
- SEWING HEAD PARTS - VIEW 1
- SEWING HEAD PARTS - VIEW 2A
- SEWING HEAD PARTS - VIEW 2B
- SEWING HEAD PARTS - VIEW 3A
- SEWING HEAD PARTS - VIEW 3B
- SEWING HEAD PARTS - VIEW 4A
- SEWING HEAD PARTS - VIEW 4B
- SEWING HEAD - FRONT VIEW

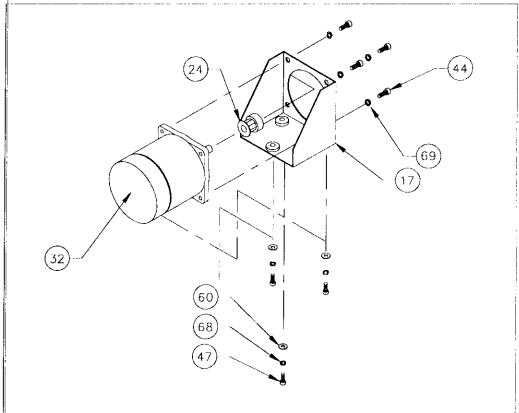
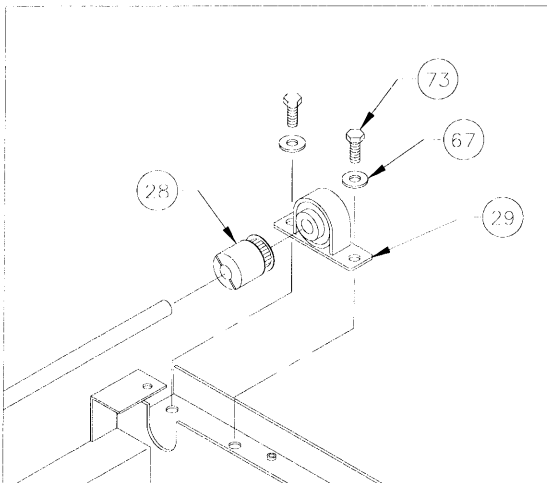
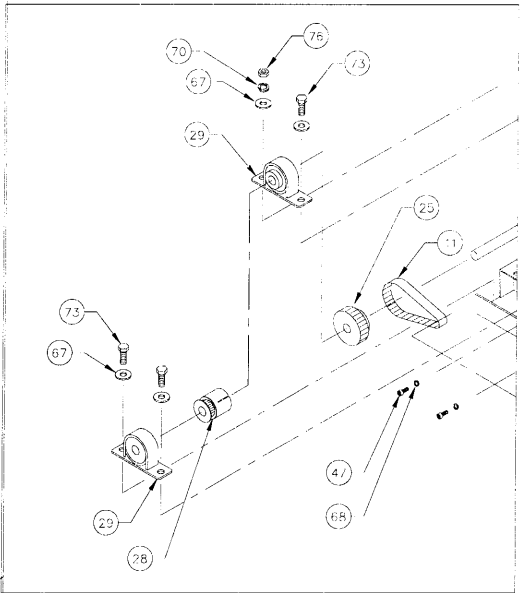
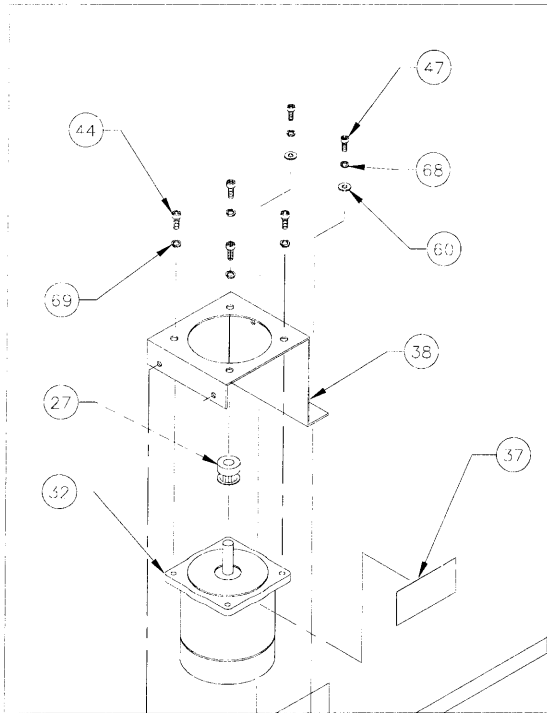




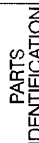
BASE ASSEMBLY

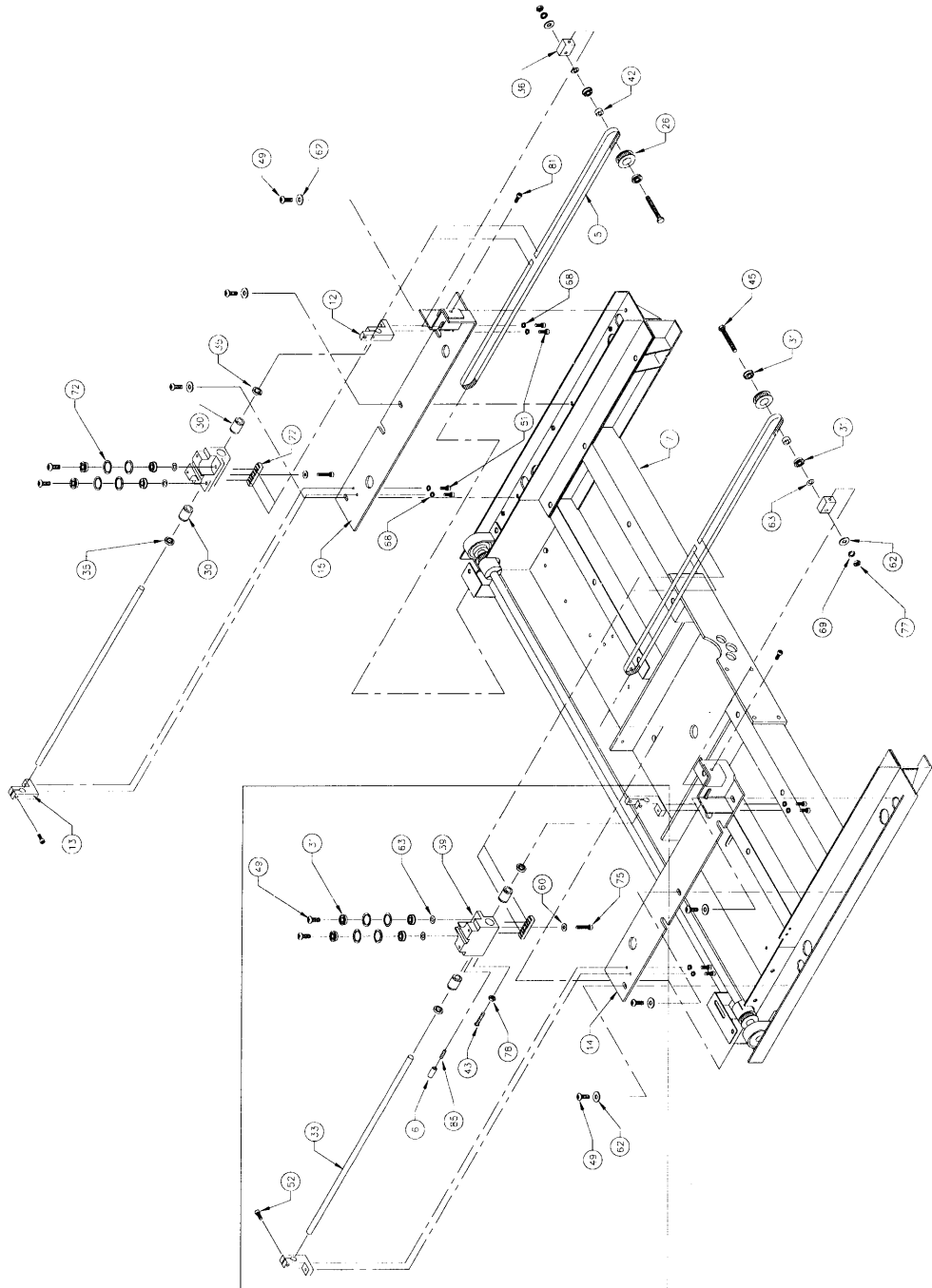
BASE ASSEMBLY			
ITEM	PART NO.	DESCRIPTION	QTY.
7	P700001	BASE, WELDMENT AND FABRICATION, 900XLC	1
11	P700039	BELT, TIMING 124XL037	1
17	P700110	BRACKET, Y-STEPPER MOTOR	1
24	P700411	PULLEY, TIMING (10XL037)	1
25	P700412	PULLEY, TIMING (30XL037)	1
27	P700419	PULLEY, TIMING (25MXL025)	1
28	P700420	PULLEY, TIMING (15XL037)	2
29	P700460	BEARING, PILLOW BLOCK	3
32	P700560	STEPPER MOTOR, PANTO	2
34	P700621	SHAFT, DRIVE Y-PANTO	1
37	P701912	DECAL, STEPPER MOTOR SPECS	1
38	P720106	BRACKET, X-STEP MOTOR	1
44	P840052	1/4-20 X 1/2 SOC HEAD SCREW	8
47	P840073	#10-32X3/8 SOC HD SCREW	7
60	P840530	#10 FLAT WASHER	5
67	P840571	8MM FLAT WASHER	6
68	P840572	#10 LOCK WASHER SPLIT	7
69	P840580	1/4" LOCK WASHER	8
70	P840582	5/16 SPLIT LOCK WASHER	1
73	P840601	5/16 18 X 3/4" HEX HEAD BOLT	5
74	P840608	5/16-18X3 1/2 HEX SOC.CAP SCREW	1
76	P840707	5/16-18 HEX NUT	1

PARTS
IDENTIFICATION



BASE ASSEMBLY			
ITEM	PART NO.	DESCRIPTION	QTY.
11	P700039	BELT, TIMING 124XL037	1
17	P700110	BRACKET, Y-STEPPER MOTOR	1
24	P700411	PULLEY, TIMING (10XL037)	1
25	P700412	PULLEY, TIMING (30XL037)	1
27	P700419	PULLEY, TIMING (25MXL025)	1
28	P700420	PULLEY, TIMING (15XL037)	2
29	P700460	BEARING, PILLOW BLOCK	3
32	P700560	STEPPER MOTOR, PANTO	2
37	P701912	DECAL, STEPPER MOTOR SPECS	1
38	P720106	BRACKET, X-STEP MOTOR	1
44	P840052	1/4-20 X 1/2 SOC HEAD SCREW	8
47	P840073	#10-32X3/8 SOC HD SCREW	7
60	P840530	#10 FLAT WASHER	5
67	P840571	8MM FLAT WASHER	6
68	P840572	#10 LOCK WASHER SPLIT	7
69	P840580	1/4" LOCK WASHER	8
70	P840582	5/16 SPLIT LOCK WASHER	1
73	P840601	5/16-18 X 3/4" HEX HEAD BOLT	5
74	P840608	5/16-18/3 1/2 HEX SOC CAP SCREW	1
76	P840707	5/16-18 HEX NUT	1

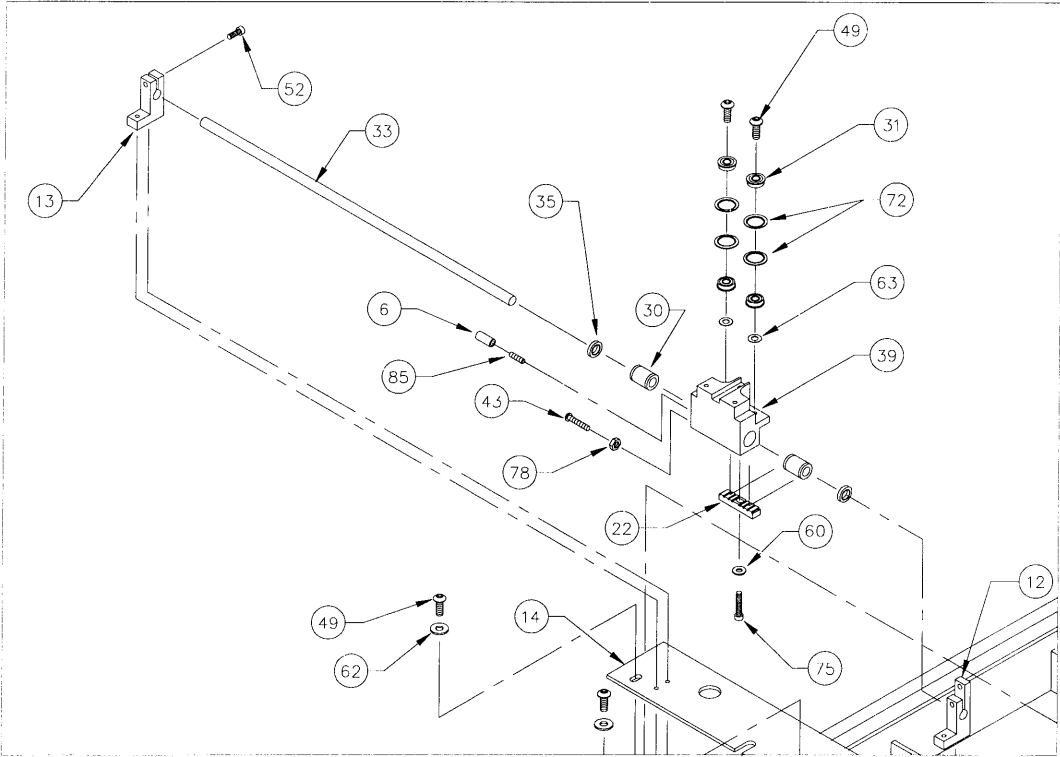

 PARTS
IDENTIFICATION



BASE ASSEMBLY - Y DRIVE UNIT

BASE ASSEMBLY - Y DRIVE UNIT			
ITEM	PART NO.	DESCRIPTION	QTY.
5	9P870003	TIMING BELT XL037UG (UNITS IN FEET)	8
6	P413015	MAGNET, HALL EFFECT	1
7	P700001	BASE, WELDMENT AND FABRICATION, 900XLC	1
12	P700100	BRACKET, SHAFT SUPP, FRONT	2
13	P700101	BRACKET, SHAFT SUPP, REAR	2
14	P700105	BRACKET, LEFT SIDE MOUNT ANGLE	1
15	P700106	BRACKET, RIGHT SIDE MOUNT ANGLE	1
22	P700240	CLAMP, TIMING BELT Y-PANTO	2
26	P700413	PULLEY, TIMING (IDLER)	2
31	P700462	BEARING, FLANGE ENGLISH	12
30	P700468	BUSHING, LINEAR 3/8"ID. CERAMIC	4
33	P700620	SHAFT, PRECISION PANTO	2
35	P700622	SEAL, LINEAR BEARING	4
36	P700635	BLOCK, PULLEY ADJUSTMENT	2
39	P720530	CARRIER, Y-PANTO. TUBULAR	2
42	P820704	1/4" I.D. X.025 SPACER	2
43	P840044	#4-40 X 1/2 BLK SOC HD CAP SCREW	1
45	P840068	BOLT, 1/4-20 X 1 3/4" LG. FULLY THRD HEX HD	2
49	P040136	1/4-20 X 5/8 BUTTON HEAD SCREW	10
51	P840434	#10-32X1/2 HEX SOCKET HEAD CAP SCREW	4
52	P840435	#10-32X1 HEX SOCKET HEAD CAP SCREW	2
60	P840530	#10 FLAT WASHER	2
62	P840540	1/4"SAE FLAT WASHER-PLTD.	8
63	P840556	1/4" WASHER, SHIM	6
68	P840572	#10 LOCK WASHER SPLIT	8
69	P840580	1/4" LOCK WASHER	2
72	P840590	WASHER, BEARING FLANGE	8
75	P840621	#10-32X3/4" SOCKET HEAD CAP SCREW	2

PARTS
IDENTIFICATION

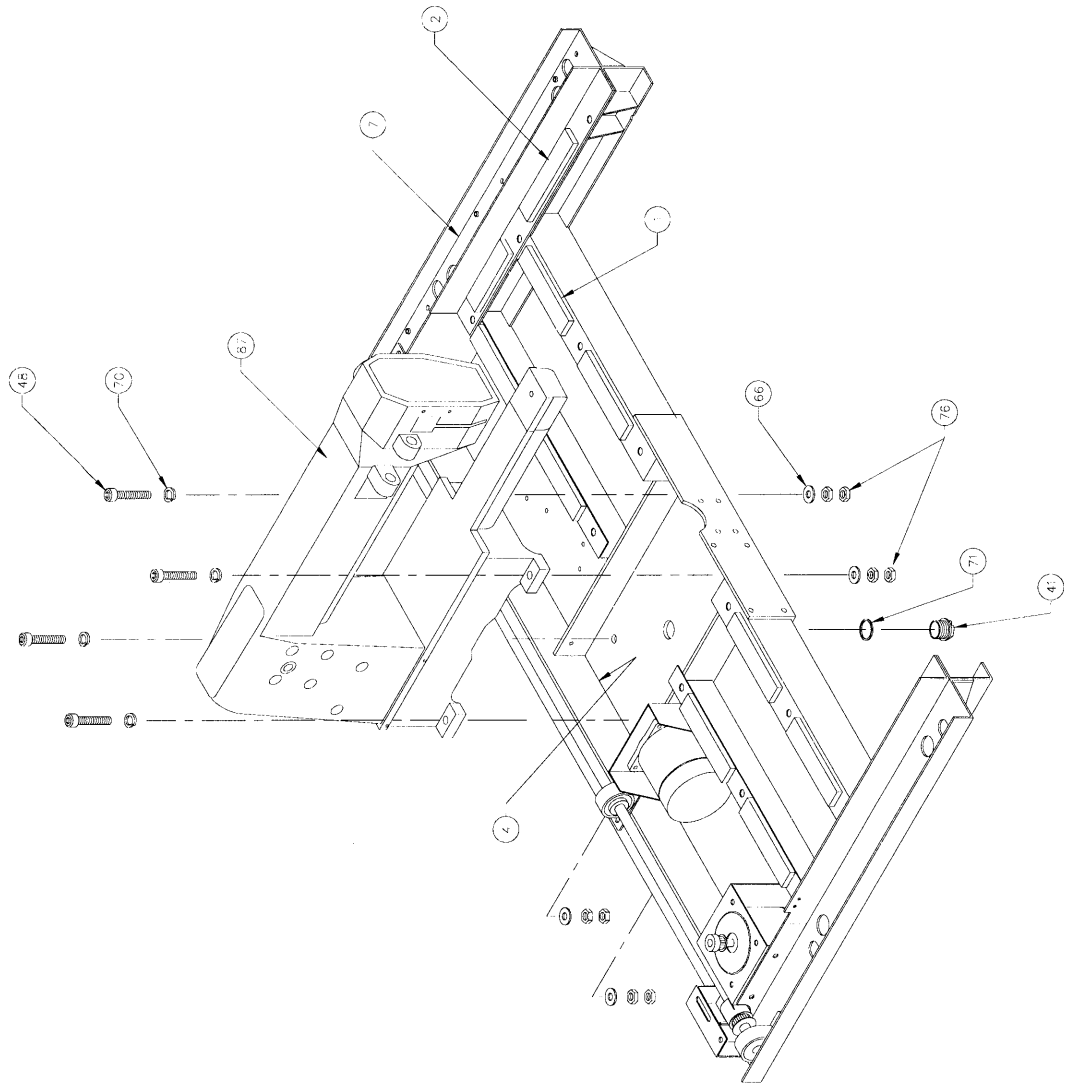


77	P840710	1/4-20 HEX NUT	2
78	P840716	#4-40 SMALL PATTERN HEX NUT	1
81	P840737	#10-32 X 5/8 HEX SOCKET	2
85	P841038	SCREW, #4-40 X 1/2: LG. CUP POINT SOCKET SET	1

BASE ASSEMBLY - Y DRIVE UNIT

ITEM	PART NO.	DESCRIPTION	QTY.
6	P413015	MAGNET, HALL EFFECT	1
12	P700100	BRACKET, SHAFT SUPP, FRONT	2
13	P700101	BRACKET, SHAFT SUPP, REAR	2
14	P700105	BRACKET, LEFT SIDE MOUNT ANGLE	1
22	P700240	CLAMP, TIMING BELT Y-PANTO	2
30	P700468	BUSHING, LINEAR 3/8" ID. CERAMIC	4
31	P700462	BEARING, FLANGE ENGLISH	12
33	P700620	SHAFT, PRECISION PANTO	2
35	P700622	SEAL, LINEAR BEARING	4
39	P720530	CARRIER, Y-PANTO. TUBULAR	2
43	P840044	#4-40 X 1/2 BLK SOCK HD CAP SCREW	1
49	P840136	1/4-20 X 5/8 BUTTON HEAD SCREW	10
52	P840435	#10-32X1 HEX SOCKET HEAD CAP SCREW	2
60	P840530	#10 FLAT WASHER	2
62	P840540	1/4" SAE FLAT WASHER-PLTD.	8
63	P840556	1/4" WASHER, SHIM	6
75	P840621	#10-32X3/4" SOCKET HEAD CAP SCREW	1
78	P840716	#4-40 SMALL PATTERN HEX NUT	1
85	P841038	SCREW, #4-40 X 1/2" LG. CUP POINT SOCKET SET	1

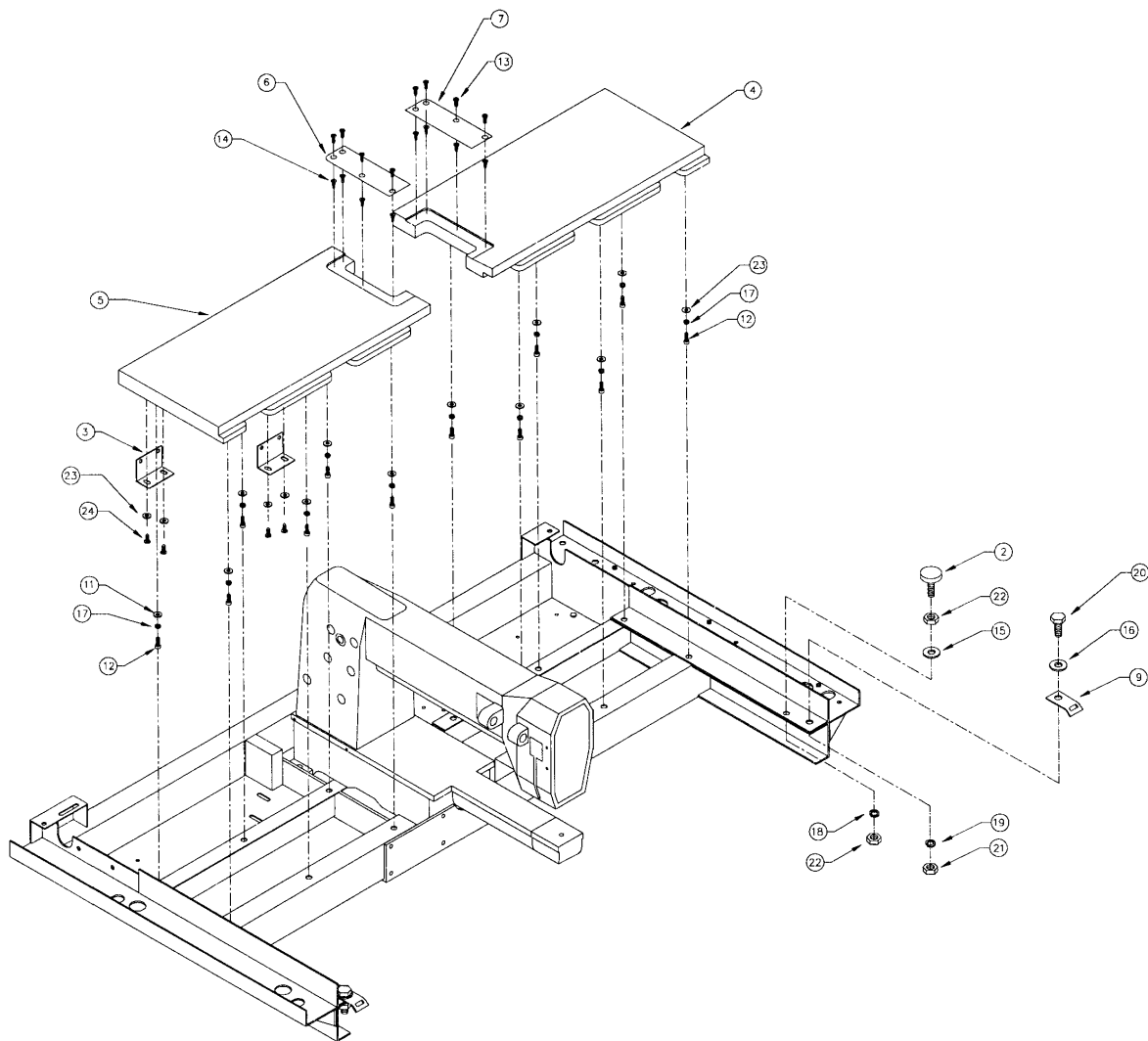
PARTS
IDENTIFICATION



HEAD INSTALLATION

HEAD INSTALLATION			
ITEM	PART NO.	DESCRIPTION	QTY.
1	9P520001	1" X 1/2" ADHESIVE NEOPRENE	6
2	9P520002	1" X 5/16" ADHESIVE NEOPRENE	4
4	9P870002	R.T.V. OIL SEALANT	1
7	P700001	BASE, WELDMENT AND FABRICATION, 900XLC	1
41	P820703	PLUG, PLASTIC	1
48	P840077	5/16-18 X 1 1/2 LG SOC HD SCREW	4
66	P840561	5/16" FLAT WASHER	4
70	P840582	5/16 SPLIT LOCK WASHER	4
71	P840587	7/8" O-RING	1
76	P840707	5/16-18 HEX NUT	8
87	ZP701000	M900XLC HEAD ASSEMBLY	1

PARTS
IDENTIFICATION



From the library of: Diamond Needle Corp

TABLE TOP ASSEMBLY

TABLE TOP ASSEMBLY			
ITEM	PART NO.	DESCRIPTION	QTY.
2	P670800	LEVELING FOOT, TUBULAR	2
3	P700124	BRACKET, COVER RETAINER	2
4	P700165	TABLE TOP, LEFT TUBULAR	1
5	P700166	TABLE TOP, RIGHT TUBULAR	1
6	P700215	LEFT COVER, SEWING HD ACCESS	1
7	P700216	RIGHT COVER, SEWING HD ACCESS	1
9	P720114	BRACKET, TABLE CLAMP, TUBULAR	2
11	P840002	M6 FLAT WASHER	6
12	P840435	#10-32X1 HEX SOCKET HEAD CAP SCREW	12
13	P840492	#8-32X3/8 PHILLIPS FLAT HEAD UNDERCUT SCREW	8
14	P840497	#8-32 THREADED INSERT - STAFAST	8
15	P840563	WASHER, 3/8" FLAT	2
16	P840571	8MM FLAT WASHER	2
17	P840572	#10 LOCK WASHER SPLIT	12
18	P840578	WASHER, 3/8" HELICAL SPRING LOCK	2
19	P840582	5/16 SPLIT LOCK WASHER	2
20	P840601	5/16-18 X 3/4" HEX HEAD BOLT	2
21	P840707	5/16-18 HEX NUT	2
22	P840708	NUT, 3/8-16 UNC-2B HEXAGONAL	2
23	P841021	M5 FLAT WASHER	16
24	P841041	#10X1/2 PHILLIPS PAN HEAD WOOD SCREW	4

PARTS
IDENTIFICATION

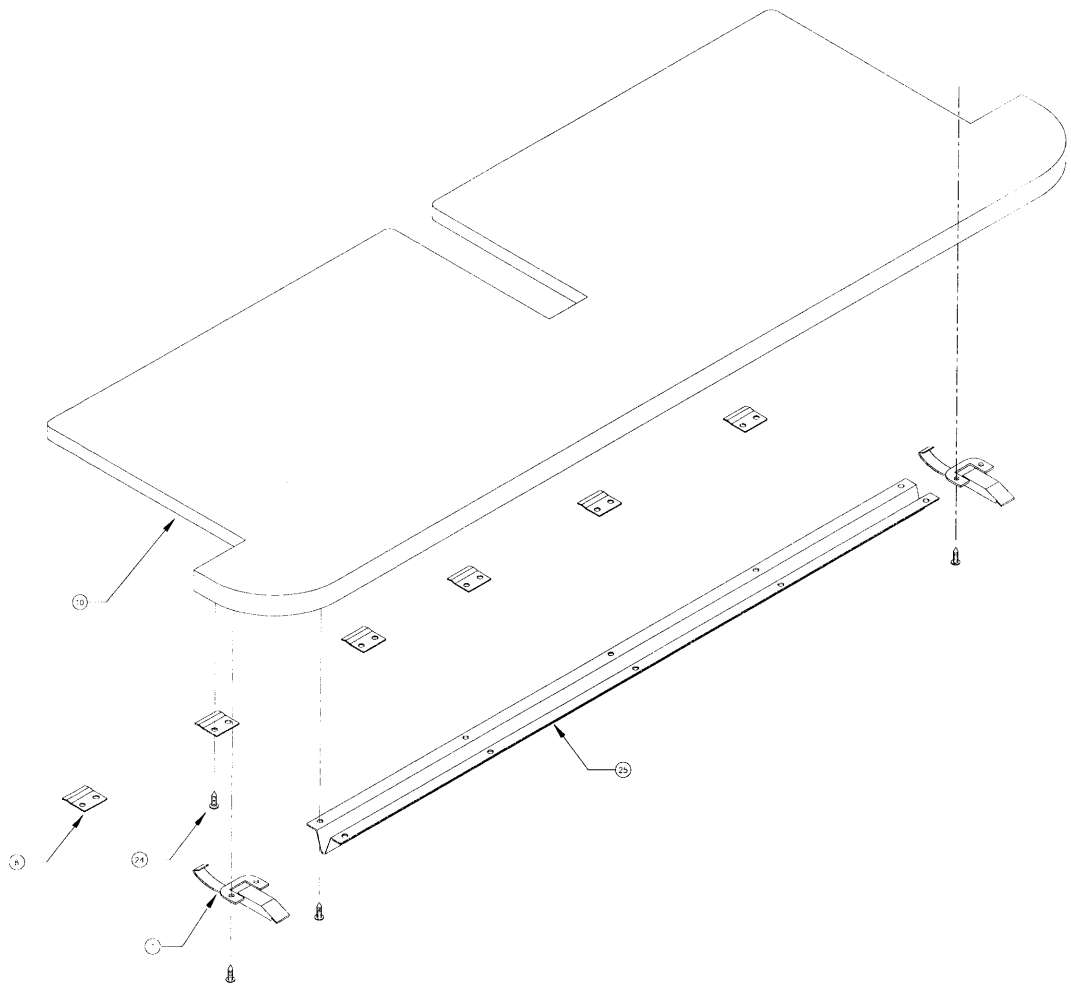
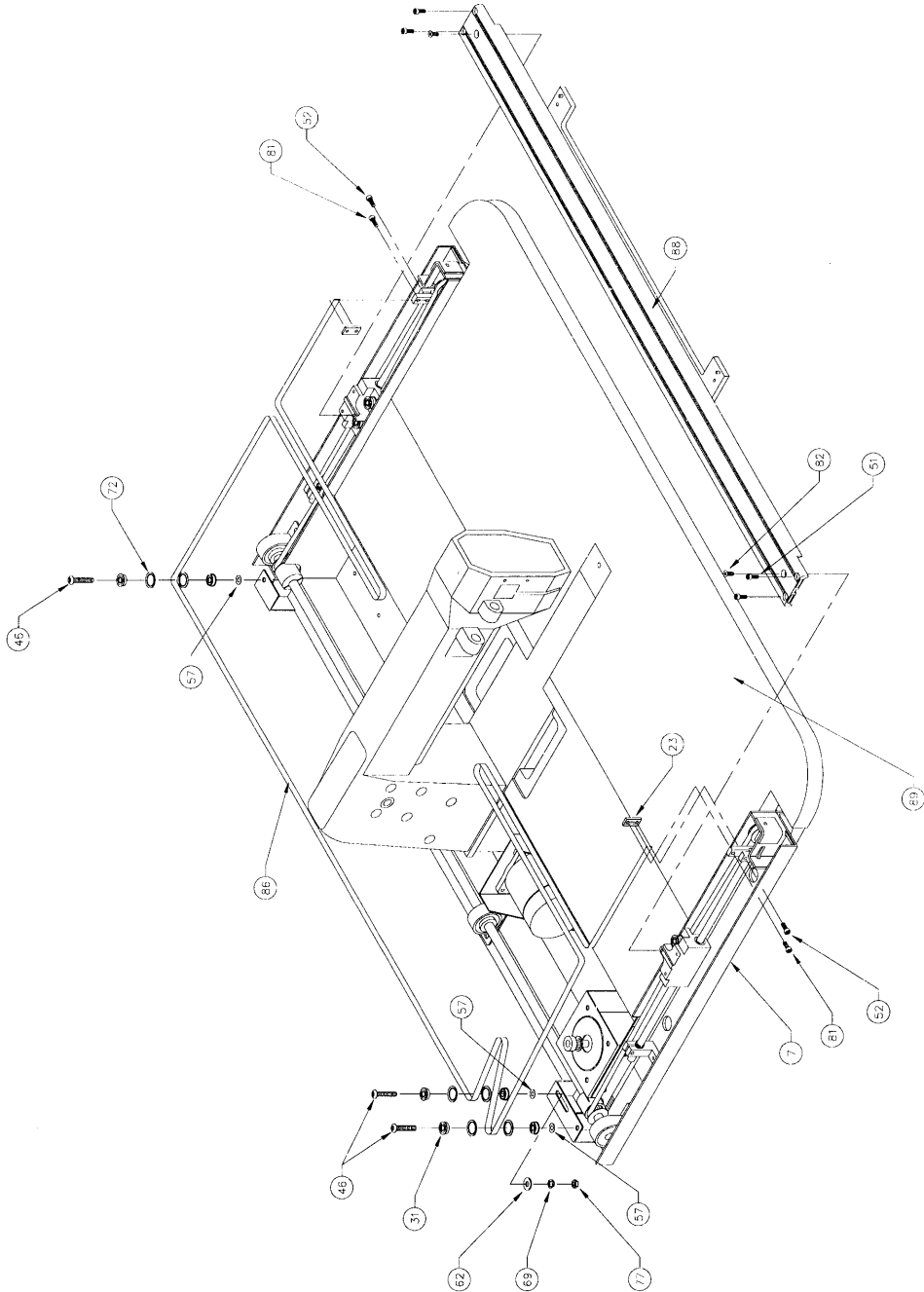


TABLE TOP ASSEMBLY			
ITEM	PART NO.	DESCRIPTION	QTY.
1	P520209	CATCH, DRAW PULL	2
8	P720113	BRACKET, LEAF RETAINER, TUBULAR	6
10	P720164	TABLE TOP, LEAF, TUBULAR	1
24	P841041	#10X1/2 PHILLIPS PAN HEAD WOOD SCREW	26
25	P720119	TABLE LEAF STIFFENER	1

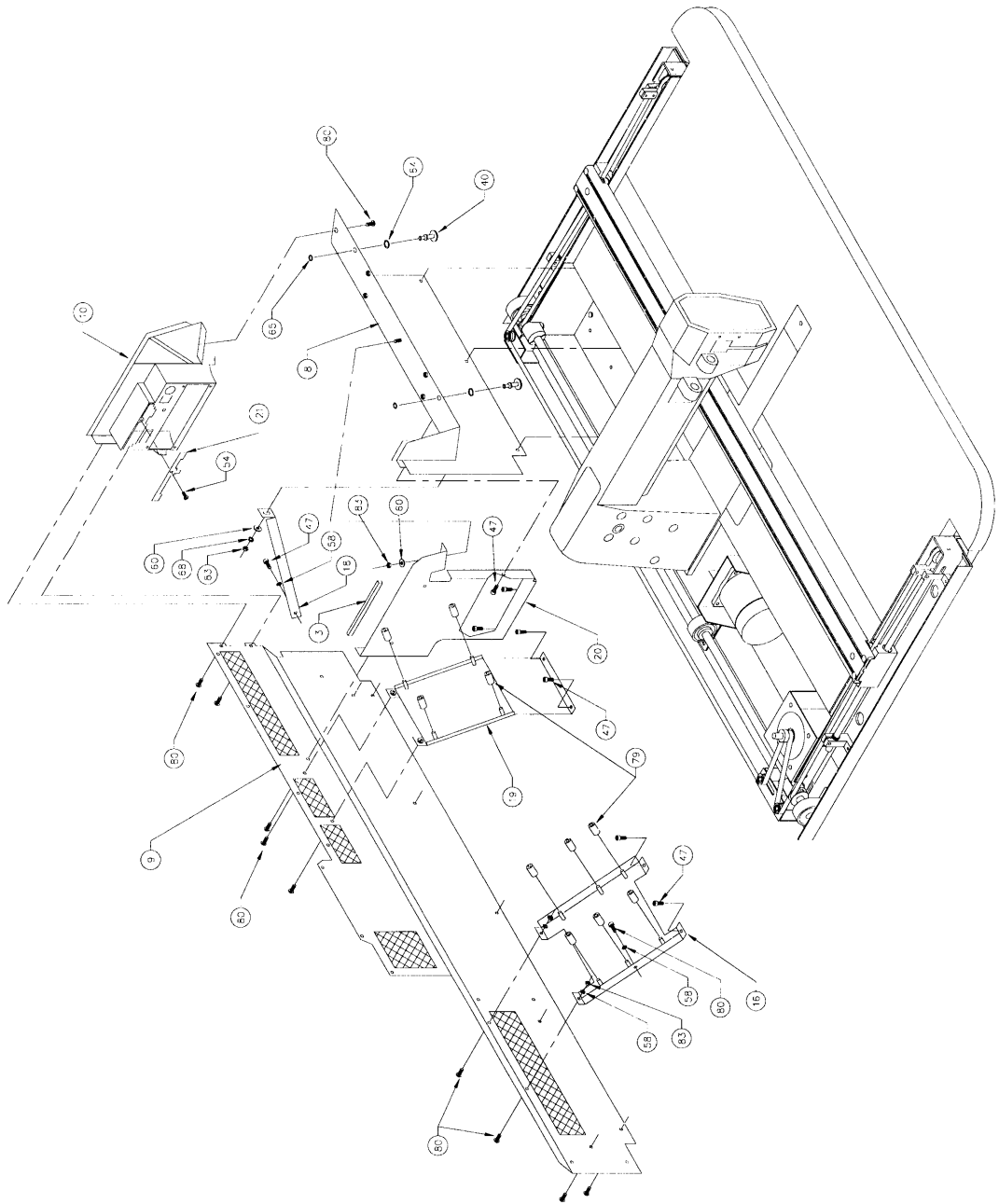
PARTS
IDENTIFICATION



X DRIVE BELT

X DRIVE BELT			
ITEM	PART NO.	DESCRIPTION	QTY.
7	P700001	BASE, WELDMENT AND FABRICATION, 900XLC	1
23	P700241	CLAMP, TIMING BELT	2
31	P700462	BEARING, FLANGE ENGLISH	6
46	P840069	1/4-20X1.00 HEX SOCKET BUTTON HD	3
51	P840434	#10-32X1/2 HEX SOCKET HEAD CAP SCREW	4
52	P840435	#10-32X1 HEX SOCKET HEAD CAP SCREW	2
57	P840501	1/4 SPRING TENSION WASHER	3
62	P840540	1/4" SAE FLAT WASHER-PLTD.	1
69	P840580	1/4" LOCK WASHER	1
72	P840590	WASHER, BEARING FLANGE	6
77	P840710	1/4-20 HEX NUT	1
81	P840737	#10-32 X 5/8 HEX SOCKET	2
82	P840738	#10-32X5/8 HEX SOC FL HD CAP SCREW	2
86	P700042	TIMING BELT MXL025	1
88	ZP701301	PANTOGRAPH ARM ASS'Y, 900XLC	1
89	ZP701701	900XLC TABLE TOP ASSEMBLY	1

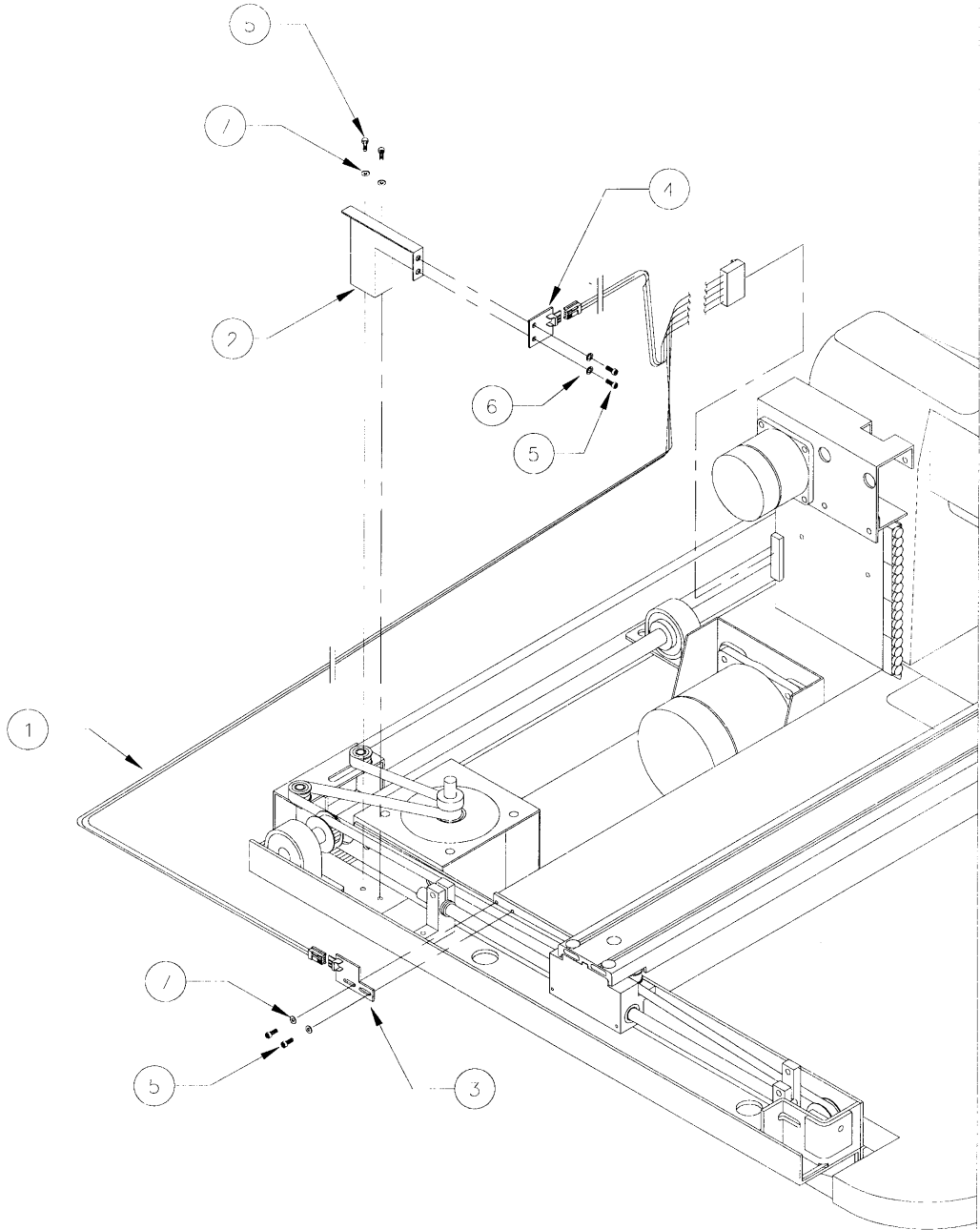
 PARTS
IDENTIFICATION



MAIN BASE

MAIN BASE			
ITEM	PART NO.	DESCRIPTION	QTY.
3	9P530200	GROMMET STRIP	6
8	P700002	COVER, LOWER RIGHT FRONT	1
9	P700003	BACK PANEL	1
10	P700015	COVER, RIGHT END PLASTIC	1
16	P700108	STEPPER MOTOR BRACKET	1
18	P700115	BRACKET, FRONT PANEL SUPPORT	1
19	P700116	BRACKET, SERVO BOARD	1
20	P700201	PLATE, CTR. VERT. SUPPORT	1
21	P700208	PLATE, POWER MODULE COVER	1
40	P820701	FASTENER. 1/4 TURN	2
47	P840073	#10-32X3/8 SOC. HD SCREW	10
54	P840470	#8-18X3/8 PHIL.P.H. THREAD CUT.SCR.T-25	1
58	P840506	#10 INTERNAL TOOTH LOCK WASHER	2
60	P840530	#10 FLAT WASHER	2
64	P840558	WASHER, NYLON	2
65	P840559	RETAINER	2
68	P840572	#10 LOCK WASHER SPLIT	1
79	P840722	#6-32X1/4 HEX FEMALE STAND	10
80	P840736	#10-32 X 3/8 HEC SOC. BUTTON HD.	18
83	P840740	#10-32 HEX NUT	2

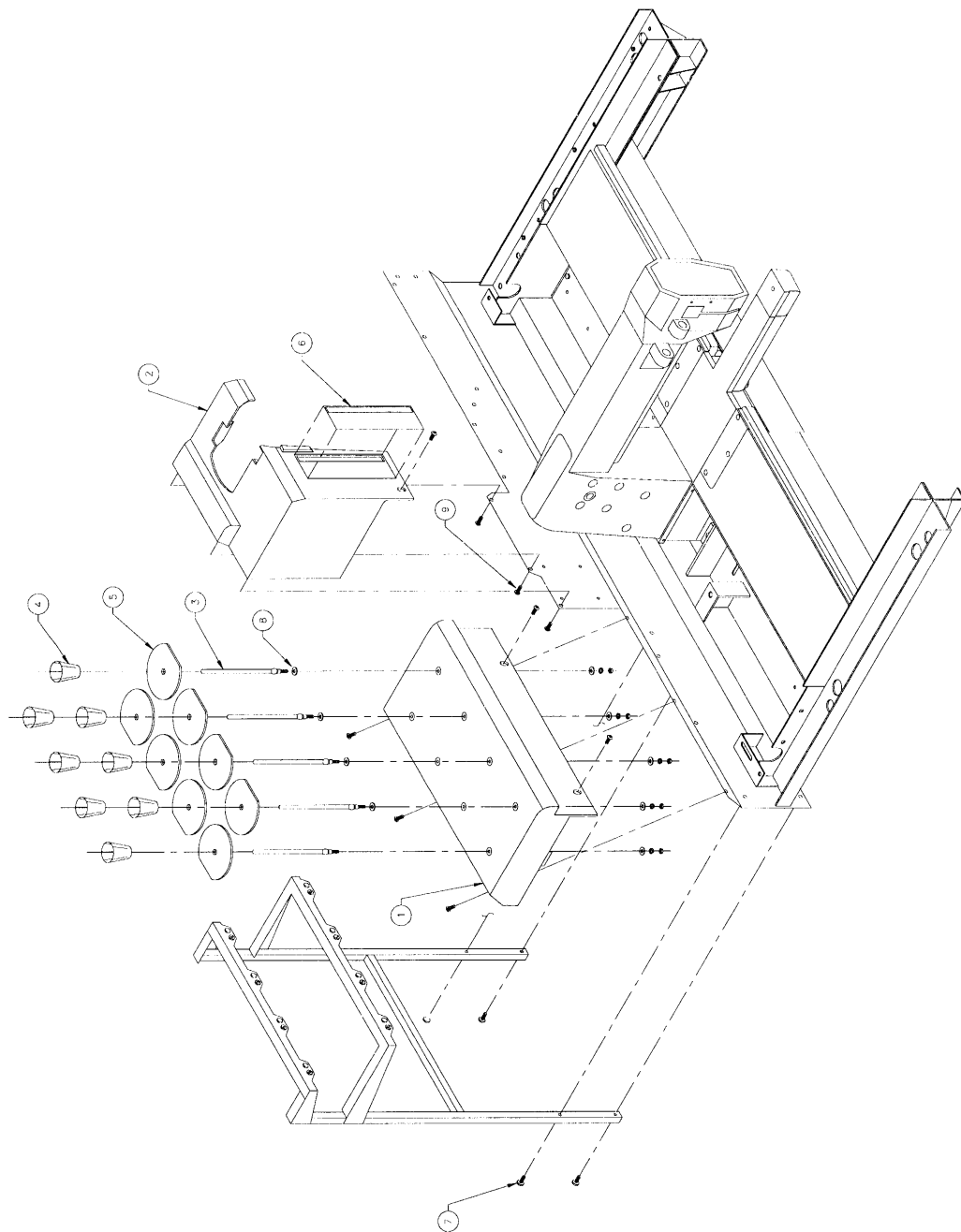
PARTS
IDENTIFICATION



LIGHT SWITCH ASSEMBLY

LIMIT SWITCH ASSEMBLY			
ITEM	PART NO.	DESCRIPTION	QTY.
1	P701354	HARNESS, LIMIT SWITCH PCB	1
2	P701101	BRACKET, Y-PANTO. HES PCB	1
3	P722658	PCB, HALL EFFECT SENSOR	1
4	P722660	PCB, HALL EFFECT SENSOR	1
5	P840045	#4-40X3/16 HEX SOCKET HEAD CAP SCREW	6
6	P840515	#4-40 FLAT WASHER	4
7	P840505	#4 INTERNAL TOOTH LOCK WASHER	2

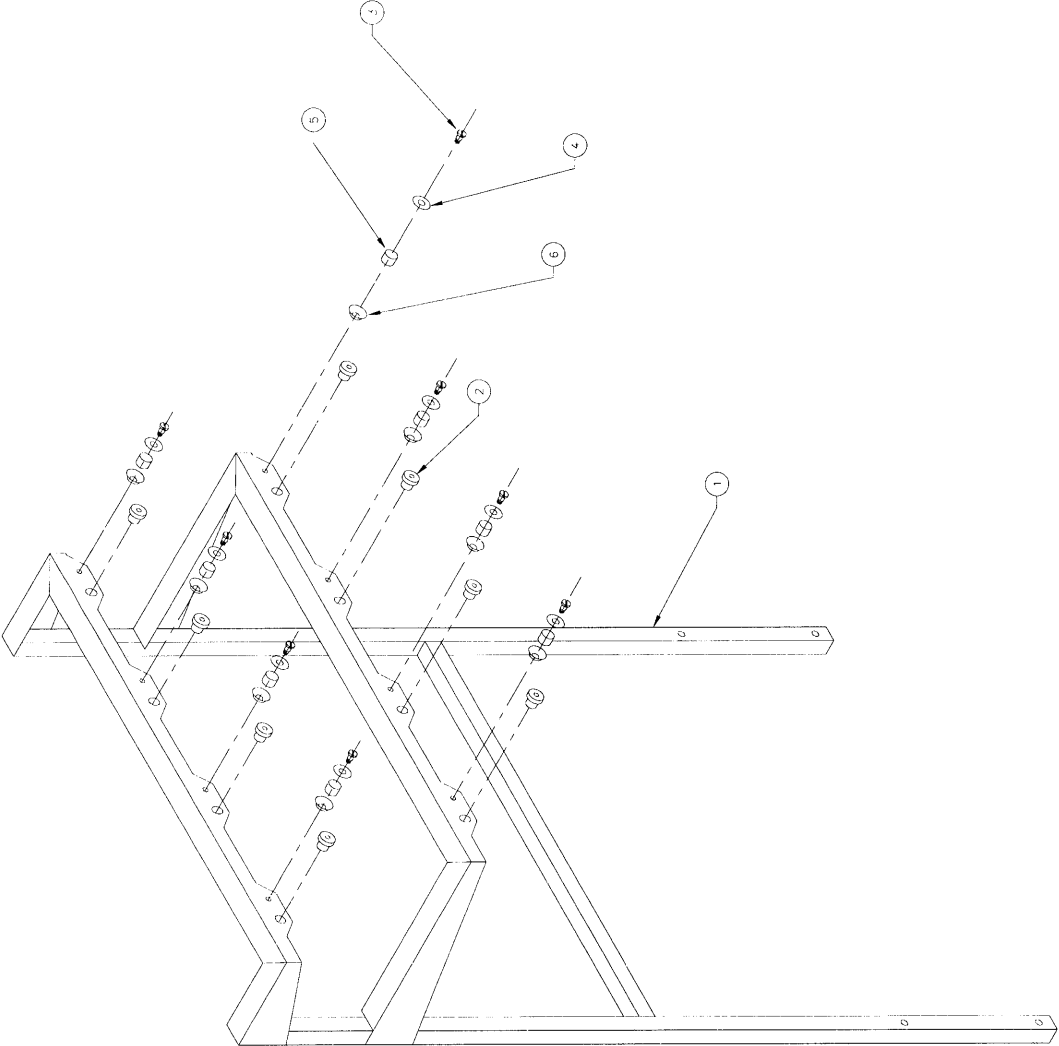
PARTS
IDENTIFICATION



CENTER & LEFT COVER THREAD STAND ASSEMBLY

CENTER & LEFT COVER THREAD STAND ASSEMBLY			
ITEM	PART NO.	DESCRIPTION	QTY.
1	P700022	COVER, LEFT THREAD BASE	1
2	P700023	COVER, CENTER	1
3	P700701	SPINDLE, THREAD	8
4	P700702	SPIDER, THREAD	8
5	P700703	FELT, THREAD STAND	8
6	P700903	DECAL, CENTER COVER-STATUS	1
7	P840443	#10-32X3/4 THUMBSCREWS	4
8	P840543	WASHER, SHIM THREAD SPINDLE	8
9	P840736	10-32 X 3/8 HEX SOC. BUTTON HD.	9

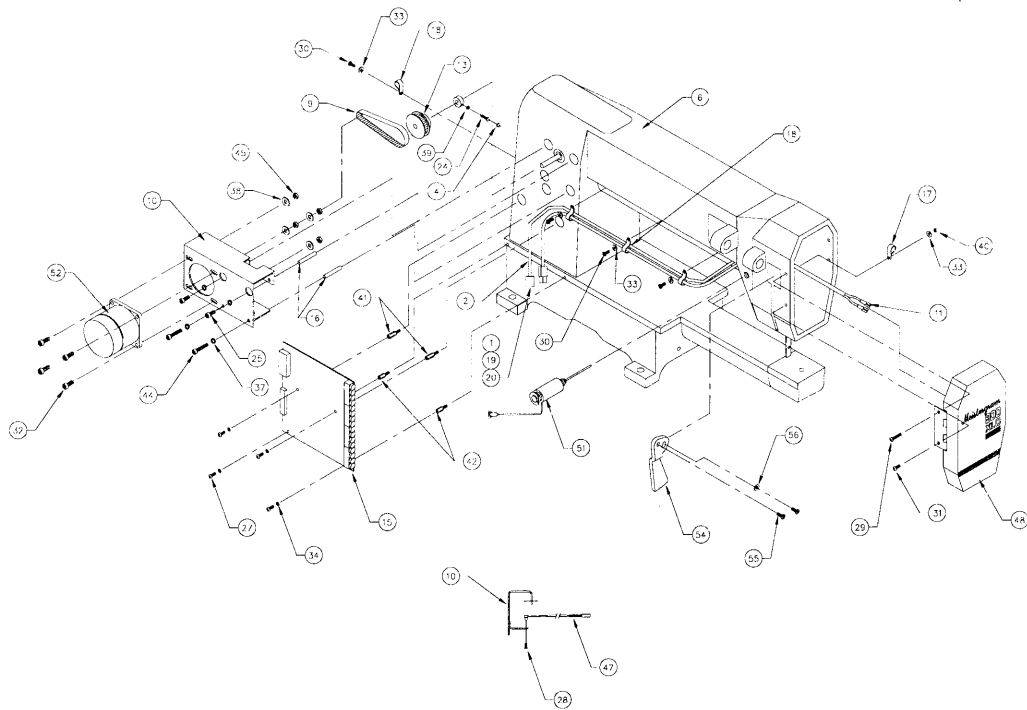
PARTS
IDENTIFICATION



THREAD STAND ASSEMBLY

THREAD STAND ASSEMBLY			
ITEM	PART NO.	DESCRIPTION	QTY.
1	P700704	THREAD STAND MAST	1
2	P700801	KF25250 SCREW M27 -ITEM #28	8
3	P700802	KF250230 WASHER FOR M27 - ITEM #29	8
4	P700803	KF250240 SPRING FOR M27 - ITEM #30	8
5	P700804	KF250220 THREAD TRAP DISC - ITEM #31	8
6	HT240480	EYELET, WHITE THREAD GUIDE	8

PARTS
IDENTIFICATION

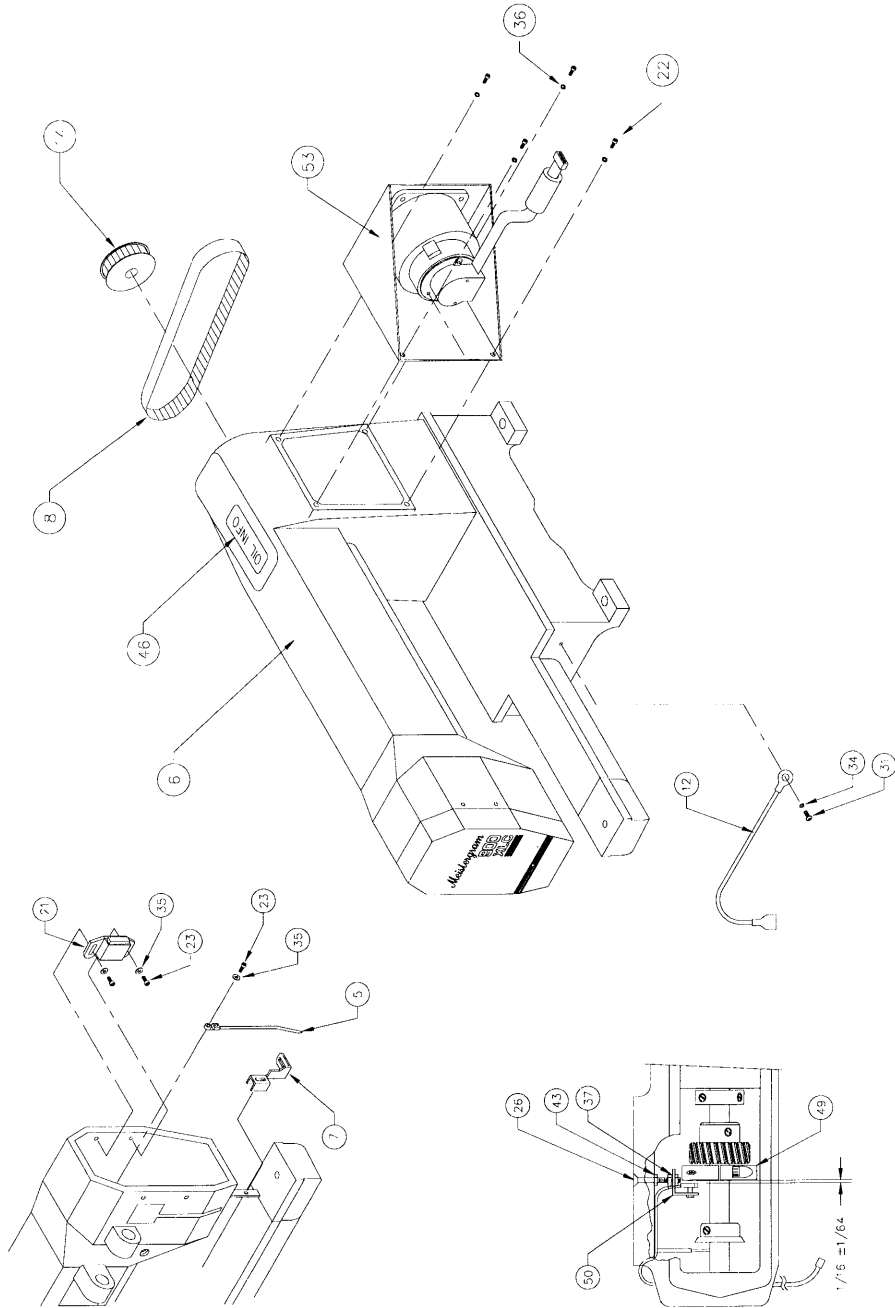


HEAD ASSEMBLY

HEAD ASSEMBLY			
ITEM	PART NO.	DESCRIPTION	QTY.
1	9P530010	POLARIZING KEY	1
2	9P820350	3/32 SHRINK TUBING BLACK BULK	1
3	P312028	3" CABLE TIES	4
4	P413018	MAGNET	1
5	P530238	TIE, CABLE SEWING HEAD	1
6	P661001	CYLINDER ARM HEAD	1
9	P700043	BELT, TIMING (100MXL025)	1
10	P700102	BRACKET, STITCH WIDTH	1
11	P700348	HARNESS, LAMP POWER	1
13	P700415	PULLEY, TIMING (48MXL025)	1

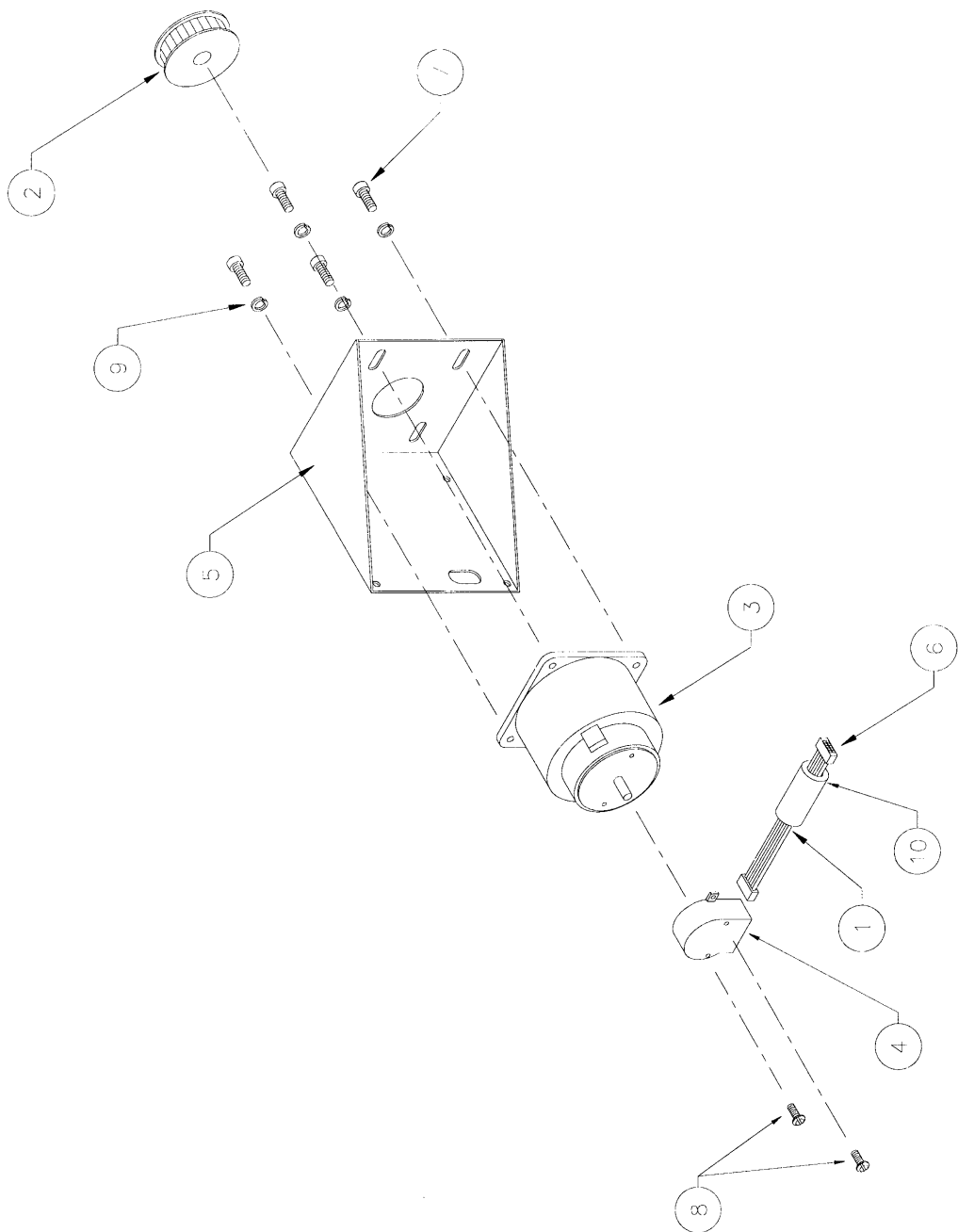
HEAD ASSEMBLY			
ITEM	PART NO.	DESCRIPTION	QTY.
15	P700607	HEAD INTERFACE BOARD, (PCB)	1
16	P700805	SPACER - #8-32-1.25 SLOT. ALUM.	2
17	P820056	1/8" CABLE CLIPS	1
18	P820066	1/4" CABLE CLIP - BLACK	4
19	P820521	BERG TERMINAL	2
20	P820562	3 CIRCUIT HOUSING	1
24	P840040	#4-40 X 3/4 PEM STUD SELF-CLINCHING	2
28	P840396	#4-40 X 3/16 PHIL PAN HD SCREW	1
29	P840409	#6-32X 3/4 PHIL. PAN HD SCREW	1
30	P840410	#6-32X 3/8 SLOTTED PAN HD SCREW	4
31	P840413	#6-32 X 3/8 PHIL PAN HD SCREW	1
32	P840434	#10-32 X 1/2 SOCKET HD CAP SCREW	4
33	P840510	#6 FLAT WASHER	5
34	P840511	#6 LOCKWASHER, INTERNAL TOOTH	5
37	P840523	#8 LOCKWASHER, SPLIT	5
38	P840530	#10 FLAT WASHER	4
39	P840715	#4-40 HEX NUT	1
40	P840720	#6-32 HEX NUT	1
41	P840721	#6-32 X 1/2 HEX MALE/FEMALE STAND	2
42	P840723	#6-32X3/8 HEX MALE/FEMALE STAND	2
44	P840734	#8-32 X 1 3/4" HEX SOC. C.S.	2
45	P840740	#10-32 HEX NUT	4
47	ZP701100	900XLC SWL SENSOR ASSEMBLY	1
48	ZP701110	900XLC DOOR ASSEMBLY	1
51	ZP701160	900XLC TENSION REL. SOLENOID ASSY.	1
52	ZP701180	900XLC STITCH WIDTH MOTOR ASSY.	1
54	P701102	RESET LEVER 900XLC	1
55	BN715M4	WASHER, M4 FLAT	1
56	P661045	SCREW, 9/64-40 X 8MM LG. SLOTTED PAN HEAD #21035	2

PARTS
IDENTIFICATION



HEAD ASSEMBLY			
ITEM	PART NO.	DESCRIPTION	QTY.
5	P530238	TIE, CABLE SEWING HAD	1
6	P661001	CYLINDER ARM HEAD	1
7	P661269	XLC PRESSER FOOT	1
8	P700038	BELT, TIMING (165L050)	1
12	P700364	CABLE, GROUND SEWING HEAD LONG	1
14	P700417	PULLEY, TIMING (16L050)	1
21	P820700	MAGNET, SEWING HEAD	1
22	P840003	M4X10 HEX SOC CAP SCREW	4
23	P840004	M3X10 HEX SOCKET CAP SCREW	3
26	P840121	#8-32 X 1 1/4 SOC. HD.C.S.FULL THRD	1
31	P840413	#6-32 X 3/8 PHIL PAN HD SCREW	1
35	P840515	#4-40 FLAT WASHER	3
36	P840517	M4 SPLIT LOCK WASHER	4
37	P840523	#8 LOCKWASHER, SPLIT	5
43	P840730	#8-32 HEX NUT	3
46	P896026	ACCESS COVER OIL DECAL	1
49	ZP701120	900XLC NPS SENDER ASSEMBLY	1
50	ZP701140	900XLC NPS PICKUP ASSEMBLY	1
53	ZP701200	900XLC MAIN MOTOR ASSEMBLY	1

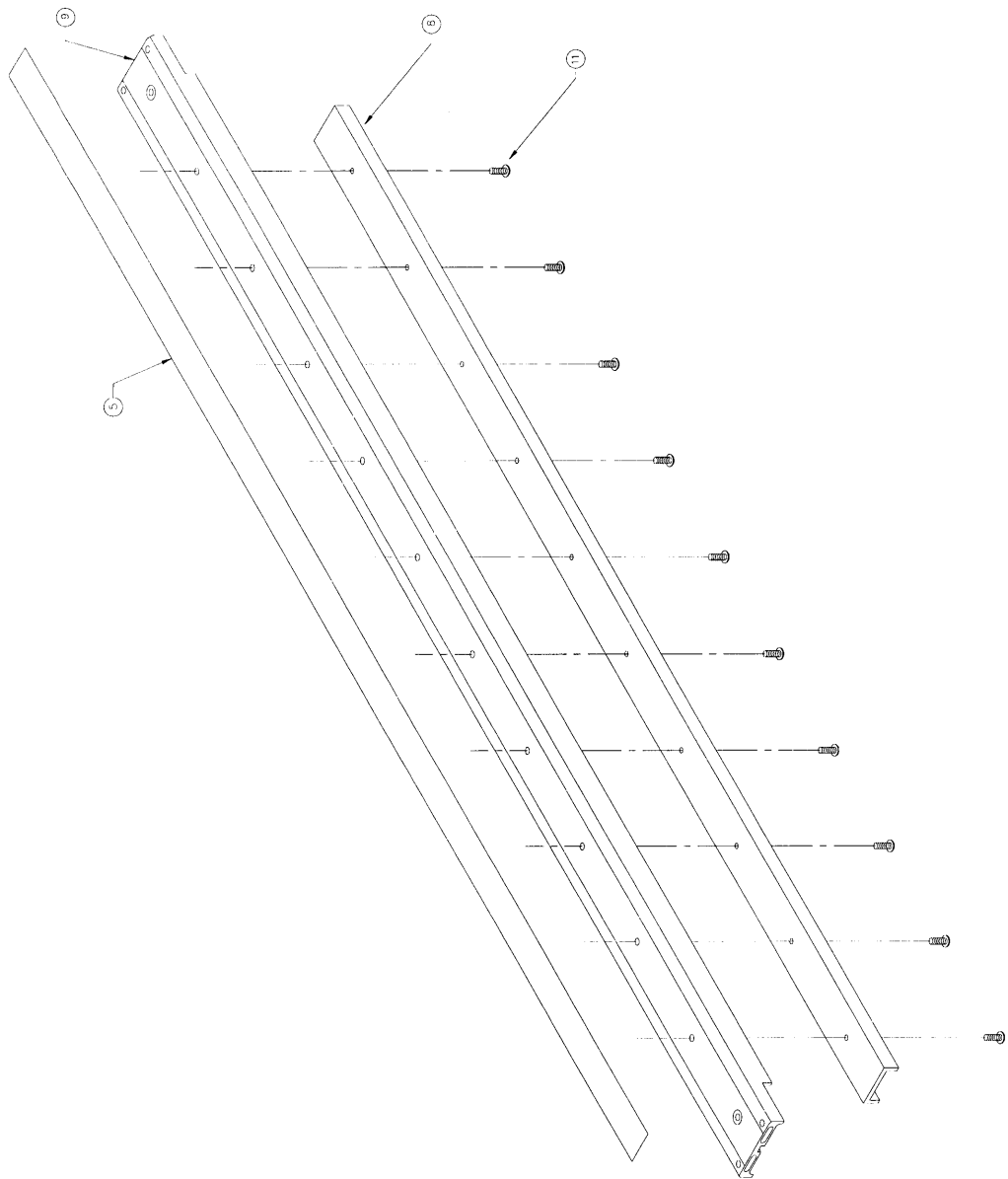
PARTS
IDENTIFICATION



MAIN MOTOR ASSEMBLY

MAIN MOTOR ASSEMBLY			
ITEM	PART NO.	DESCRIPTION	QTY.
1	P700342	CABLE, CPU-ENCODER SIGNAL	1
2	P700417	PULLEY, TIMING (16L050)	1
3	P700563	SERVO MOTOR	1
4	P700564	ENCODER, OPTICAL	1
5	P700107	BRACKET, DRIVE MOTOR	1
6	P820500	CONNECTOR, 10 POS FEM BERG	1
7	P840060	1/4-28 X 1/2 SOC HD CAP SCREW	4
8	P840403	#4-40 X 1/4 PAN HD SCREW	2
9	P840580	1/4" LOCK WASHER	4
10	P701303	FERRITE BEAD, ENCODER	1

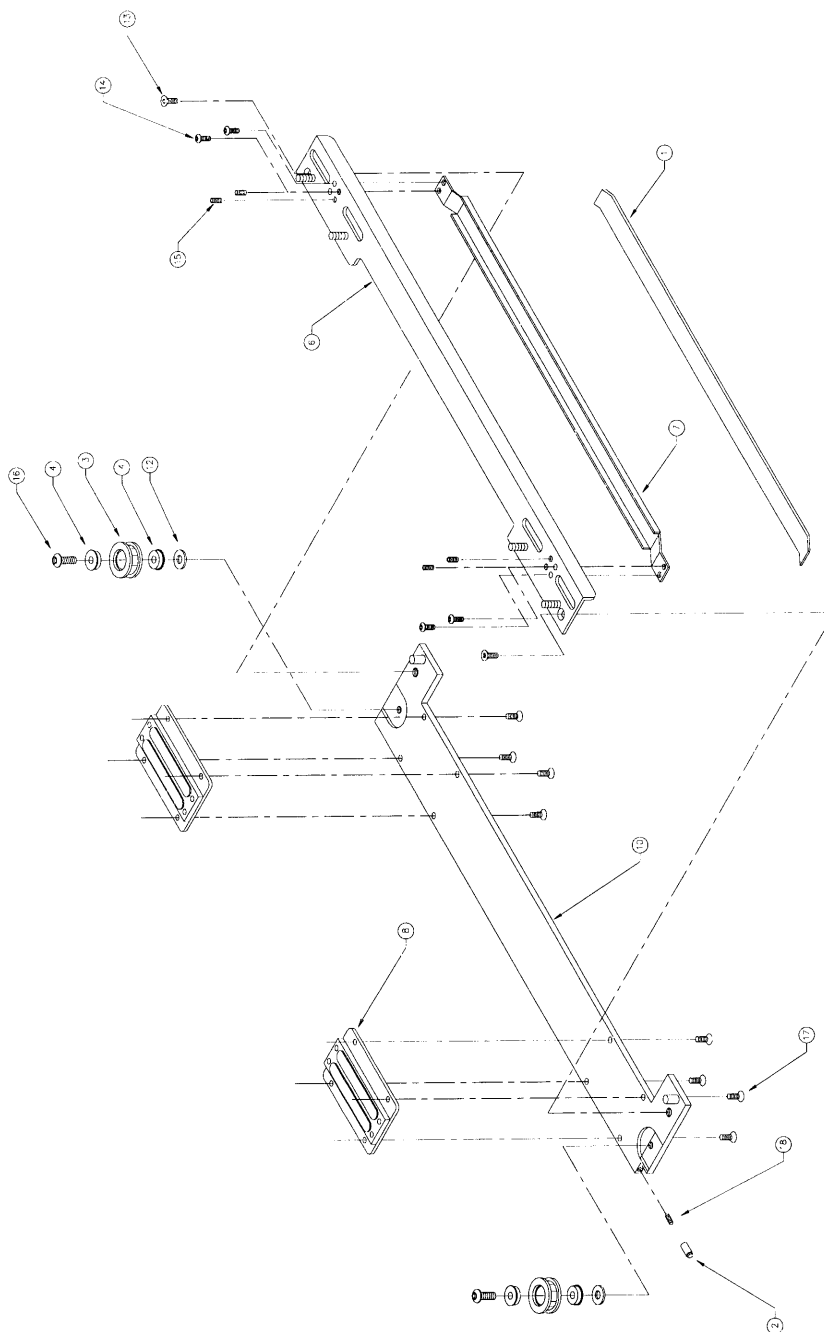
PARTS
IDENTIFICATION



PANTOGRAPH ARM ASSEMBLY

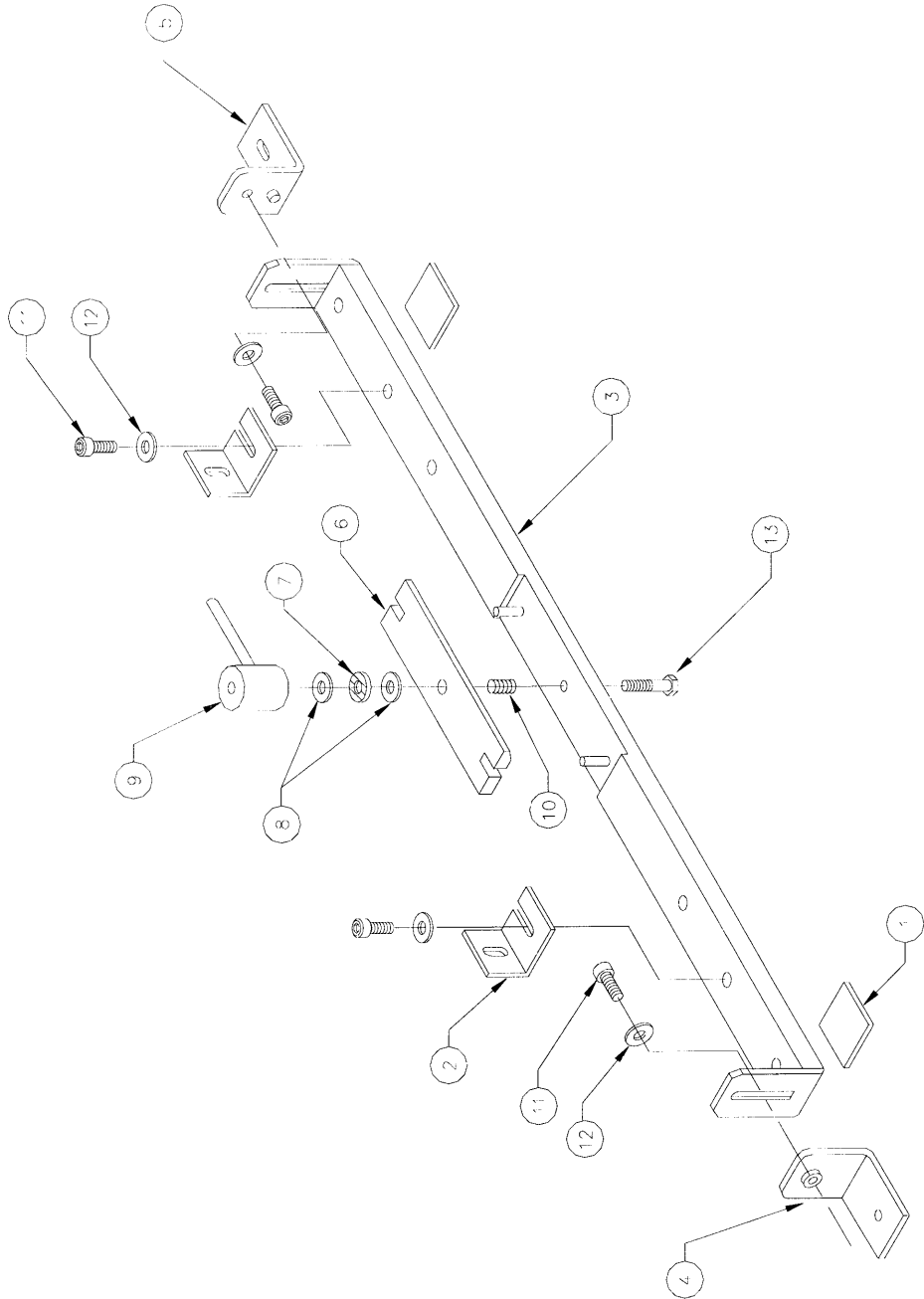
PANTOGRAPH ARM ASSEMBLY			
ITEM	PART NO.	DESCRIPTION	QTY.
5	P700901	DECAL, PANTO ARM	1
8	P720430	BEARING, SLIDE PACK	1
9	P720525	ARM, TUBULAR PANTOGRAPH	1
11	P840118	#8-32X5/16 HEX SOCKET BUTTON HEAD SCREW	10

PARTS
IDENTIFICATION



PANTOGRAPH ARM ASSEMBLY			
ITEM	PART NO.	DESCRIPTION	QTY.
1	9P720005	FELT, TUBULAR PANTOGRAPH	3
2	P413015	MAGNET, BLOCK	1
3	P700410	PULLEY, TIMING (40MXL025)	2
4	P700462	BEARING, FLANGE ENGLISH	4
6	P722140	BRACKET, PANTO. TUBULAR MOUNT, STEEL	1
7	P722141	BRACKET, TUBULAR SUPPORT, STEEL	1
10	P720529	CARRIER, TUBULAR PANTO	1
12	P840556	WASHER, SHIM	2
13	P841000	#10-32X1/2 HEX SOCKET FLAT HEAD SCREW	2
14	P841001	#10-32X1/2 HEX SOCKET BUTTON HEAD SCREW	4
15	P841002	#10-32X1/4 HEX SOCKET CUP POINT SETSCREW	4
16	P841010	SCREW, 1/4-20 X 9/16 LG. HEX SOCKET BUTTON HEAD	2
17	P841020	M5X10MM HEX SOCKET FLAT HEAD SCREW	8
18	P841038	SCREW, #4-40 UNC-2A X 1/2" LG. CUP POINT SOCKET SET	1

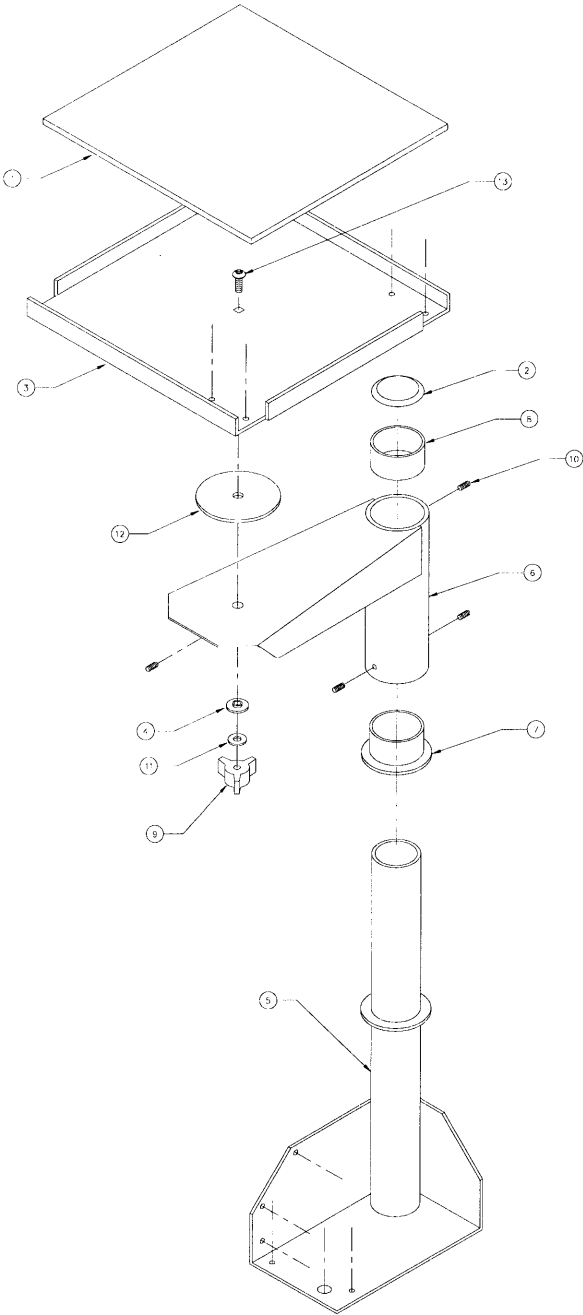
PARTS
IDENTIFICATION



MEISTERGRAM HOOP ADAPTER ASSEMBLY

MEISTERGRAM HOOP ADAPTER ASSEMBLY			
ITEM	PART NO.	DESCRIPTION	QTY.
1	9P720005	FELT, TUBULAR PANTOGRAPH (1" LONG, 2 TIMES)	1
2	P700117	BRACKET, CAP FRAME/PANTO MNT	2
3	P700125	BRACKET, HOOP INTERFACE ADJ.	1
4	P700126	BRACKET, PANTO. RIGHT ADJ.	1
5	P700127	BRACKET, PANO. LEFT ADJ.	1
6	P700206	CLAMP PLATE, HOOP MOUNT	1
7	P700463	BEARING, THRUST, PANTO	1
8	P700464	BEARING, THRUST WASHER	2
9	P700634	CLAMPING KNOB/LEVER ASSY	1
10	P810053	HOOP CLAMP SPRING	1
11	P840073	#10-32X3/8 HEX SOCKET CAP SCREW	2
12	P840530	#10 FLAT WASHER	2
13	P840615	BOLT, 1/4-20 UNC-2A X 1 1/4" LG. HEXAGONAL HEAD	1

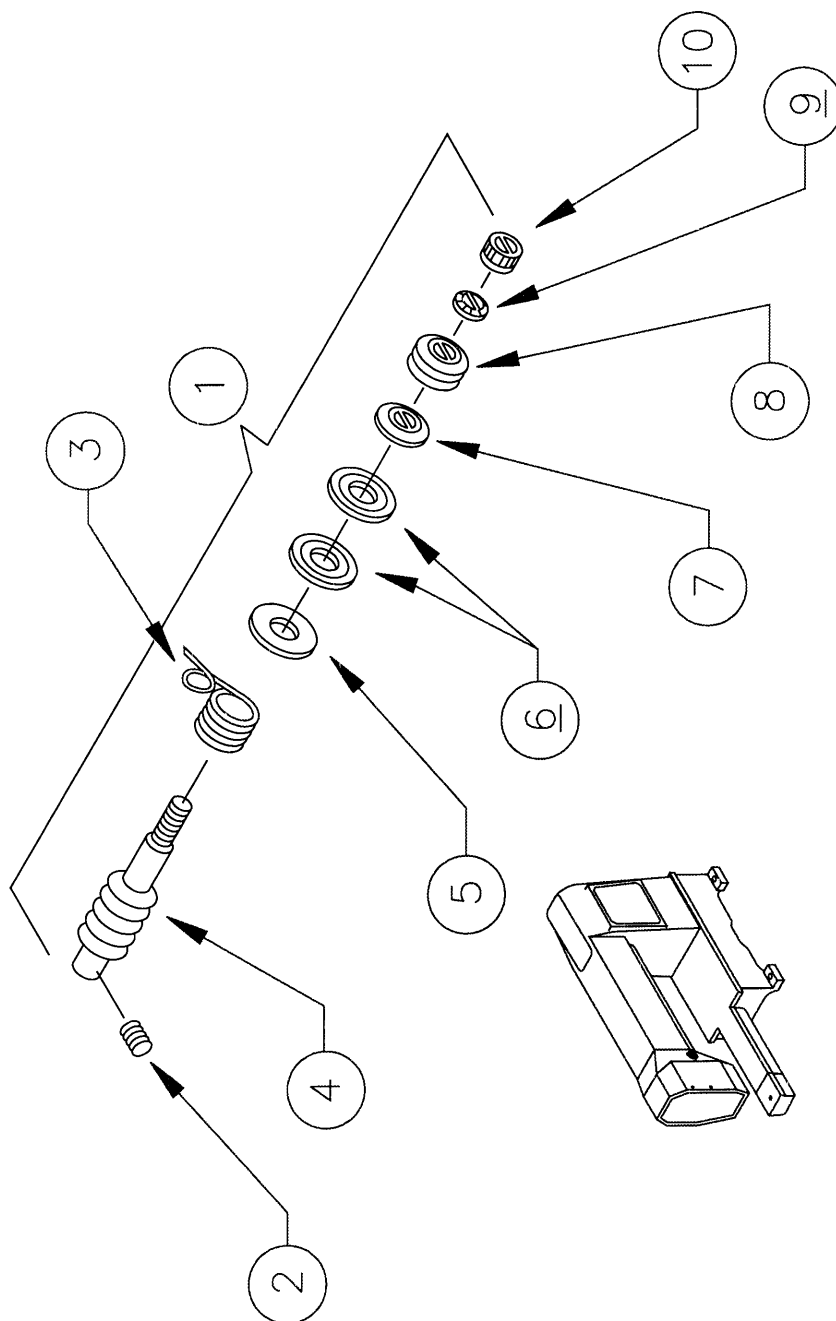
PARTS
IDENTIFICATION



CRT ARM ASSEMBLY

CRT ARM ASSEMBLY			
ITEM	PART NO.	DESCRIPTION	QTY.
1	P670116	NON-SKID CRT MAT	1
2	P670127	CAP, DECORATIVE	1
3	P700014	TRAY, MONITOR	1
4	P700470	BUSHING, MONITOR TRAY SWIVEL	1
5	P700522	CRT, SUPPORT TUBE & BRACKET	1
6	P700523	CRT, ARM	1
7	P722432	BUSHING, CRT ARM FLANGED	1
8	P722433	BUSHING, CRT ARM	1
9	P820706	1/4-20 NUT DECORATIVE KNOB	1
10	P840061	#10-32X1/4 OVAL POINT SOCKET SETSCREW	4
11	P840501	1/4 SPRING TENSION WASHER	1
12	P840557	WASHER, NYLON, CRT TRAY	1
13	P840611	1/4-20X1 1/8 R.H. SHORT SQ NECK BLT	1

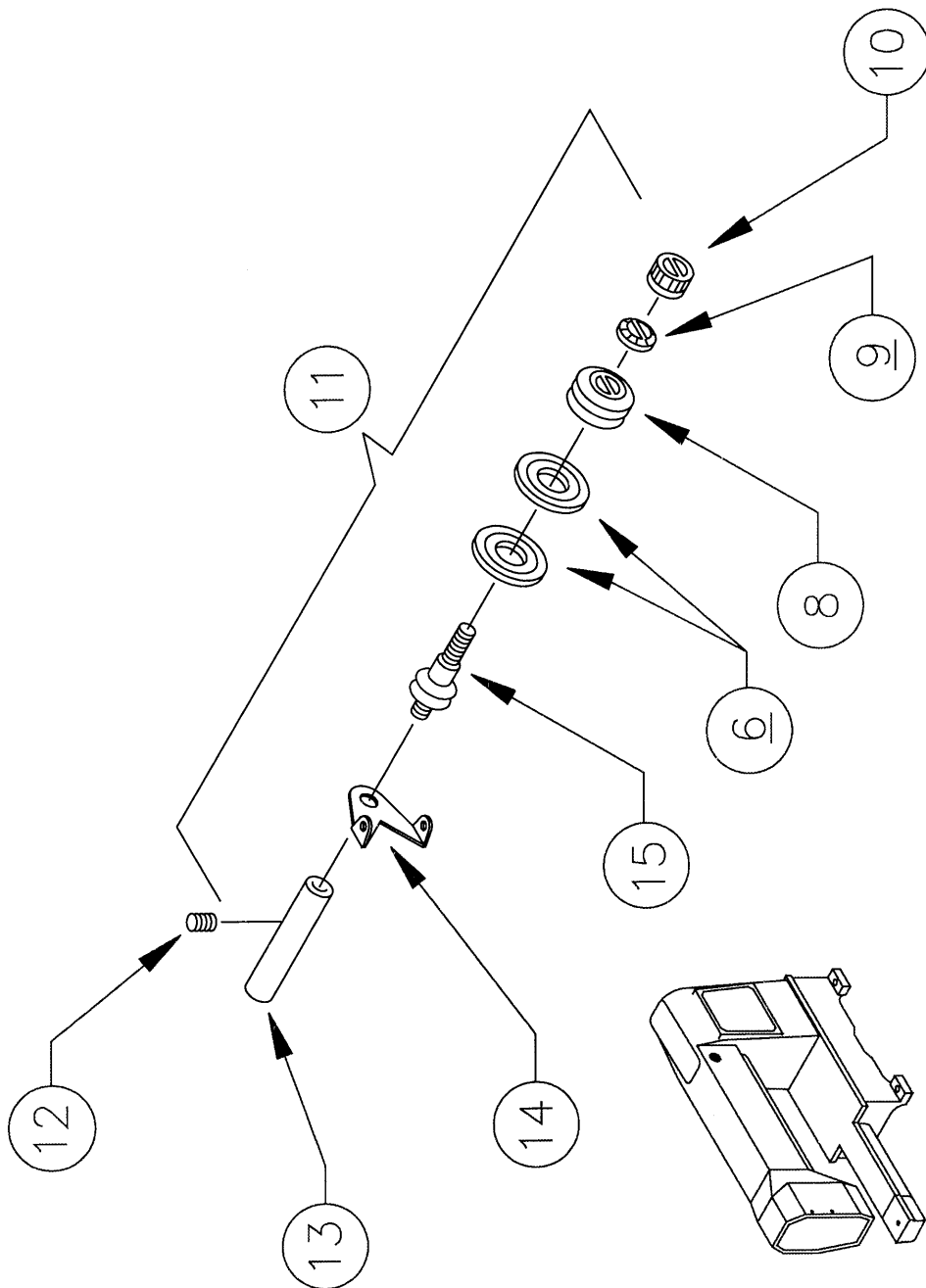
PARTS
IDENTIFICATION



TENSION ASSEMBLY

TENSION ASSEMBLY			
ITEM	PART NO.	DESCRIPTION	QTY.
1	P661052	TENSION ASSEMBLY COMPLETE	1
2	P661061	M4 X 8 X 0.7 SOCKET SETSCREW	1
3	P661054	CHECK SPRING (TAKE-UP SPRING)	1
4	P661053	TENSION STUD	1
5	P661055	INSULATING DISC	1
6	P661034	TENSION DISC	2
7	P661057	TENSION RELEASE DISC	1
8	P661035	TENSION SPRING	1
9	P661036	TENSION NUT WASHER	1
10	P661037	TENSION NUT	1

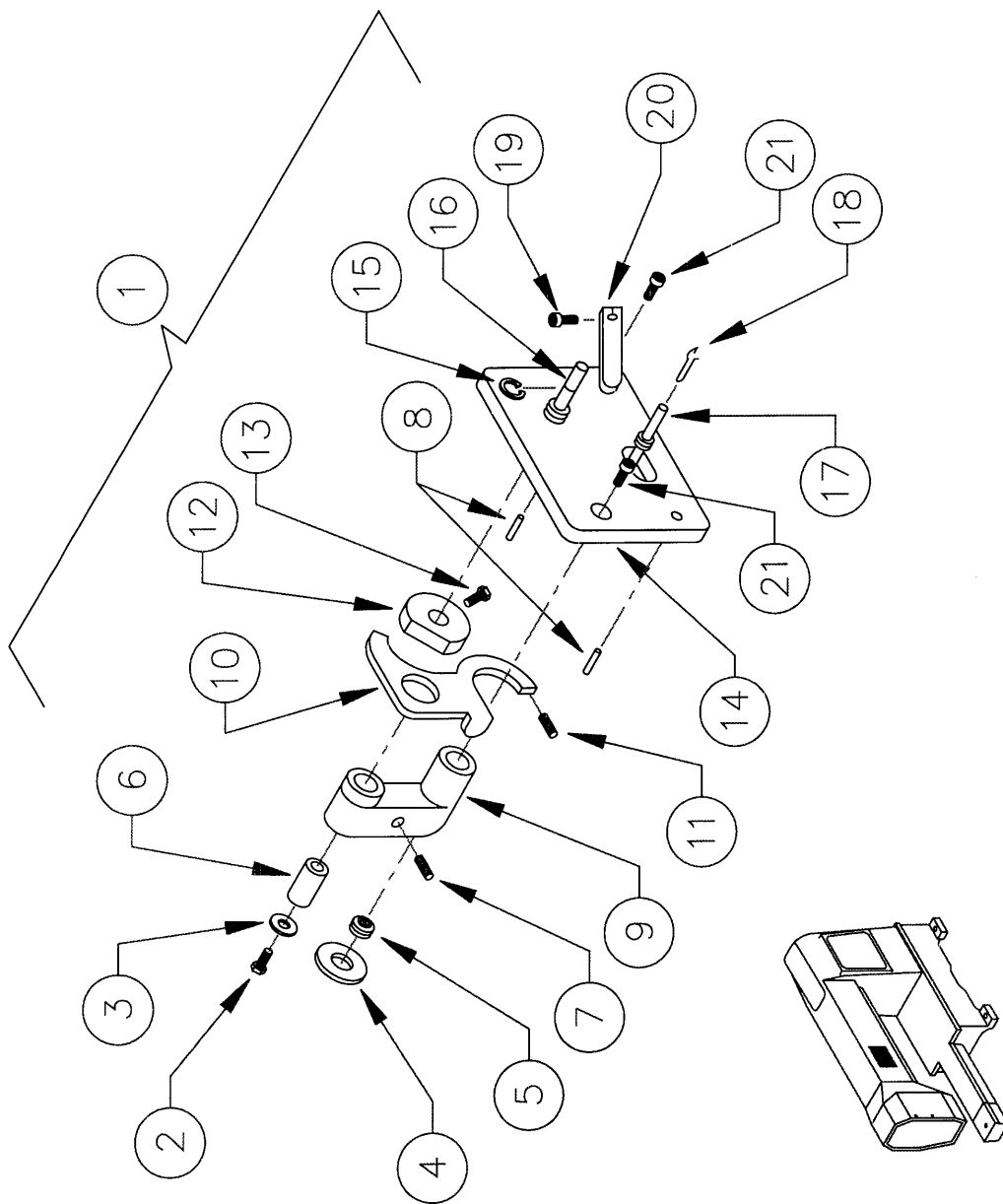
PARTS
IDENTIFICATION



BOBBIN WINDER TENSION ASSEMBLY

BOBBIN WINDER TENSION ASSEMBLY			
ITEM	PART NO.	DESCRIPTION	QTY.
6	P661034	TENSION DISC	2
8	P661035	TENSION SPRING	1
9	P661036	TENSION NUT WASHER	1
10	P661037	TENSION NUT	1
11	P661030	COMPLETE WINDER TENSION ASSEMBLY	1
12	P661038	M6 X 6 X 0.8 SOCKET SETSCREW	1
13	P661031	TENSION POST	1
14	P661032	WINDER THREAD GUIDE	1
15	P661033	WINDER TENSION STUD	1

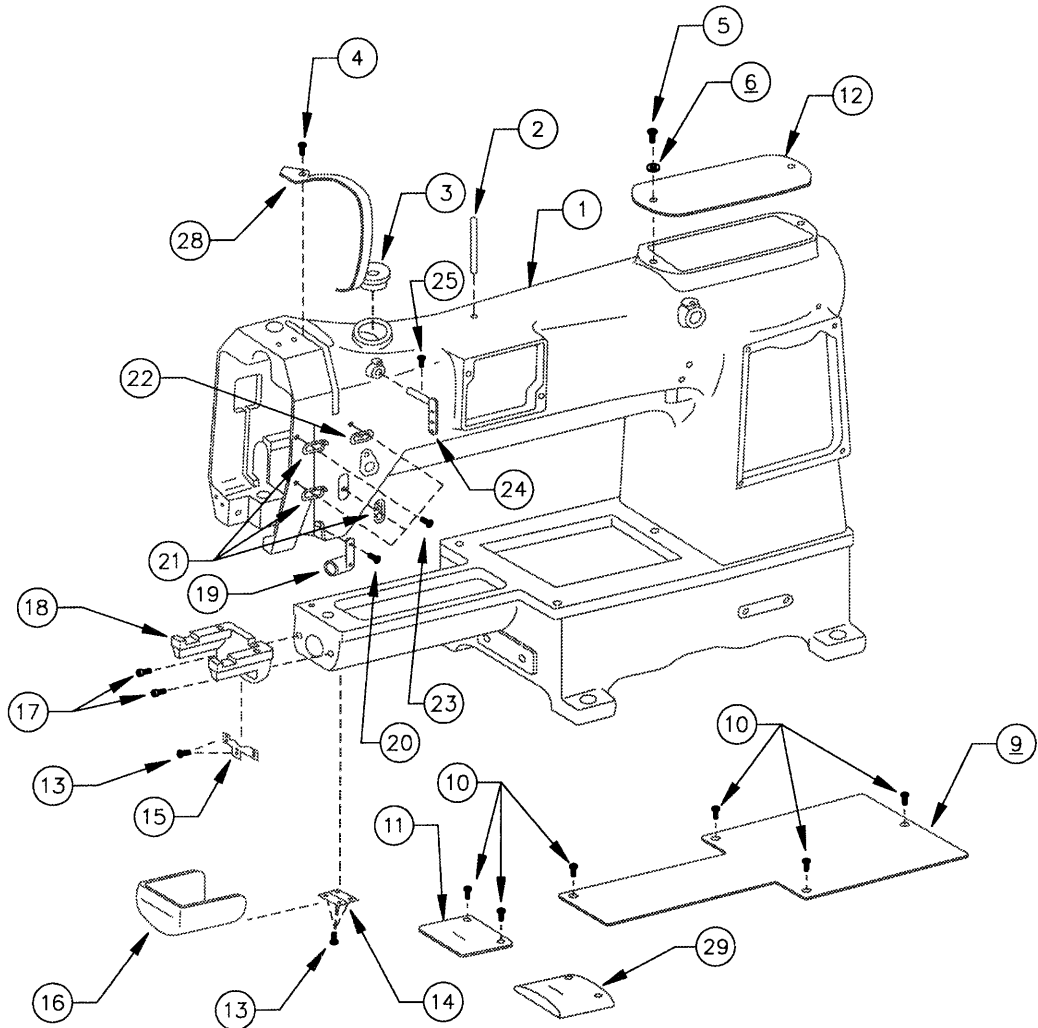
PARTS
IDENTIFICATION



BOBBIN WINDER ASSEMBLY

BOBBIN WINDER ASSEMBLY			
ITEM	PART NO.	DESCRIPTION	QTY.
1	P661009	XLC BOBBIN WINDER	1
2	P661023	M4 X 20 X 0.7 SOCKET CAP SCREW	1
3	P661025	M4 FLAT WASHER	1
4	P661028	O-RING 15 ID X 25 OD	1
5	P661017	WINDER WHEEL	1
6	P661012	PIVOT LINK BUSHING	1
7	P661013	BOBBIN WINDER SPRING	1
8	P661026	ROLL PIN 3.5 DIA. X 16	2
9	P661011	BOBBIN WINDER PIVOT LINK	1
10	P661014	WINDER TRIP LEVER	1
11	P661015	WINDER TRIP SPRING	1
12	P661021	WINDER TRIP LEVER CAM	1
13	P661022	WINDER CAM STOP SCREW	1
14	P661010	BOBBIN WINDER MOUNTING PLATE	1
15	P661027	C-CLIP	1
16	P661020	WINDER TRIP ARM SHAFT	1
17	P661016	BOBBIN WINDER SHAFT	1
18	P661018	BOBBIN KEY	1
19	P661024	M4 X 12 X 0.7 SOCKET CAP SCREW	1
20	P661019	WINDER TRIP ARM	1
21	P661029	M4 X 10 X 0.7 SOCKET CAP SCREW	2

PARTS
IDENTIFICATION

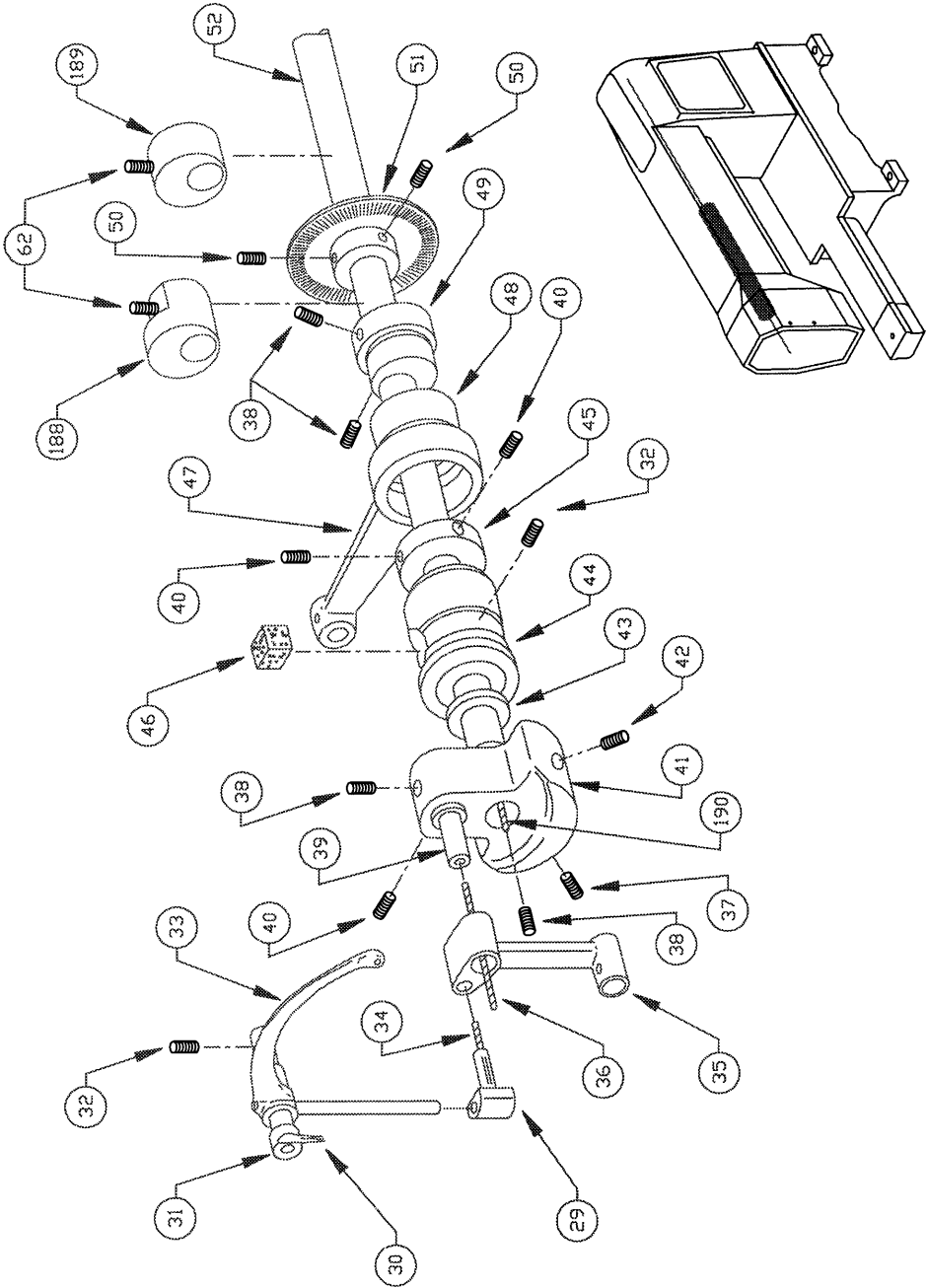


SEWING HEAD PARTS - VIEW 1

SEWING HEAD PARTS - VIEW 1			
ITEM	PART NO.	DESCRIPTION	QTY
1	ZP661000	CYLINDER ARM HEAD	1
2	P661039	TOP THREAD GUIDE	1
3	P661074	OIL PLUG	1
4	P661073	M4 X 6 X 0.7 PHILLIPS TRUSS HEAD SCREW	1
5	0661076	TOP COVER PLATE SCREW	1
6	P661077	WAVEY WASHER 6.4 ID X 11 OD	1
9	P661082	WORK PLATE	1
10	P661081	11/64-40 X 9 SLOT OVAL	6
11	P661080	THROAT PLATE	1
12	P661075	TOP COVER PLATE	1
13	P661086	M3 X 5 X 0.5 PHILLIPS PAN HEAD SCREW	6
14	P661085	HOOK COVER HINGE	1
15	P661087	HOOK COVER HATCH	1
16	P661084	HOOK COVER	1
17	P661008	M5 X 14 X 0.8 SOCKET CAP SCREW	2
18	P661007*	NEEDLE PLATE BRACKET	1
19	P413865	SPRING LOADED THREAD GUIDE	1
20	P661069	9/64-40 X 6 SLOT FLAT HEAD SCREW	1
21	661043	FRONT THREAD GUIDE	2
22	P661044	REAR THREAD GUIDE	1
23	P661045	9/64-40 X 8 SLOT PAN HEAD SCREW	4
24	P661040	3-HOLE THREAD GUIDE	1
25	P661041	M4 X 4 X 0.7 SOCKET SETSCREW	1
28	P661072	TAKE-UP LEVER GUARD	1
29	P661258	HOOK SUPPORT PLATE	1
30	P661050	SETSCREW FOR SUPPORTING PLATE	1

PARTS
IDENTIFICATION

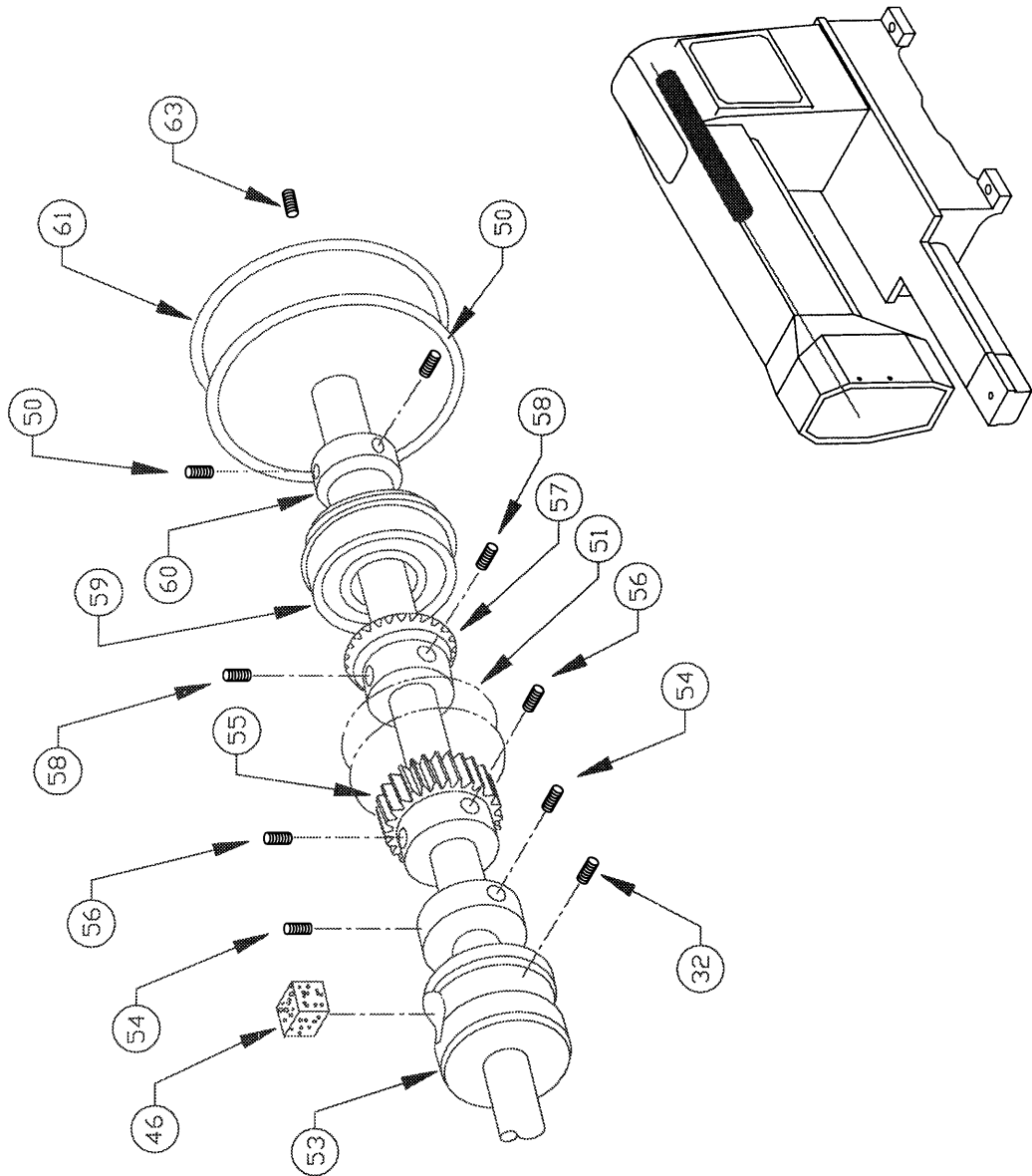
*This part has changed; you will need to order 2 pieces to replace it. The new part numbers are P661258 Hook Supporting Plate (Position Finger) and P661050 Setscrew for Hook Supporting Plate.



SEWING HEAD PARTS - VIEW 2A

SEWING HEAD PARTS - VIEW 2A			
ITEM	PART NO.	DESCRIPTION	QTY.
29	P413559	TAKE-UP LEVER DRIVER STUD	1
30	P661095	3.5 DIAMETER X 45 LONG OIL WICK	1
31	P413555	TAKE-UP LEVER HINGE STUD	1
32	P661094	M6 X 10 X 1.0 SOCKET SETSCREW	3
33	P413650	TAKE-UP LEVER	1
34	P661097	3.5 DIAMETER X 25 LONG OIL WICK	1
35	P413274	NEEDLE BAR CONNECTING LINK	1
36	P661099	3.5 DIAMETER X 55 LONG OIL WICK	1
37	P661104	9/32-28 X 11 SCREW	1
38	P661102	15/64-28 X 4.5 SLOT SETSCREW	4
39	P413269	NEEDLE BAR CONNECTING LINK STUD	1
40	P661101	15/64-28 X 7 SLOT SETSCREW	3
41	P661103	NEEDLE BAR CRANK	1
42	P661105	15/64-28 X 13 SLOT SETSCREW	1
43	P661106	CRANK FRICTION WASHER	1
44	P413310	FRONT ARM SHAFT BUSHING	1
45	P661113	FRONT COLLAR	1
46	P661112	OIL PAD	2
47	P413472	ECCENTRIC/CAM	1
48	P413473	NEEDLE BEARING	1
49	P413471	LIFTING ECCENTRIC	1
50	P0661038	M6 X 6 X 0.8 SOCKET SETSCREW	4
51	P0661119	WINDER FRICTION DISC	1
52	P661107	ARM SHAFT	2
62	P661134	M6 X 12 X 1.0 SOCKET SETSCREW	6
188	P661268	BALANCE WEIGHT I	1
189	P661267	BALANCE WEIGHT II	1
190	P661108	OIL WICK	1

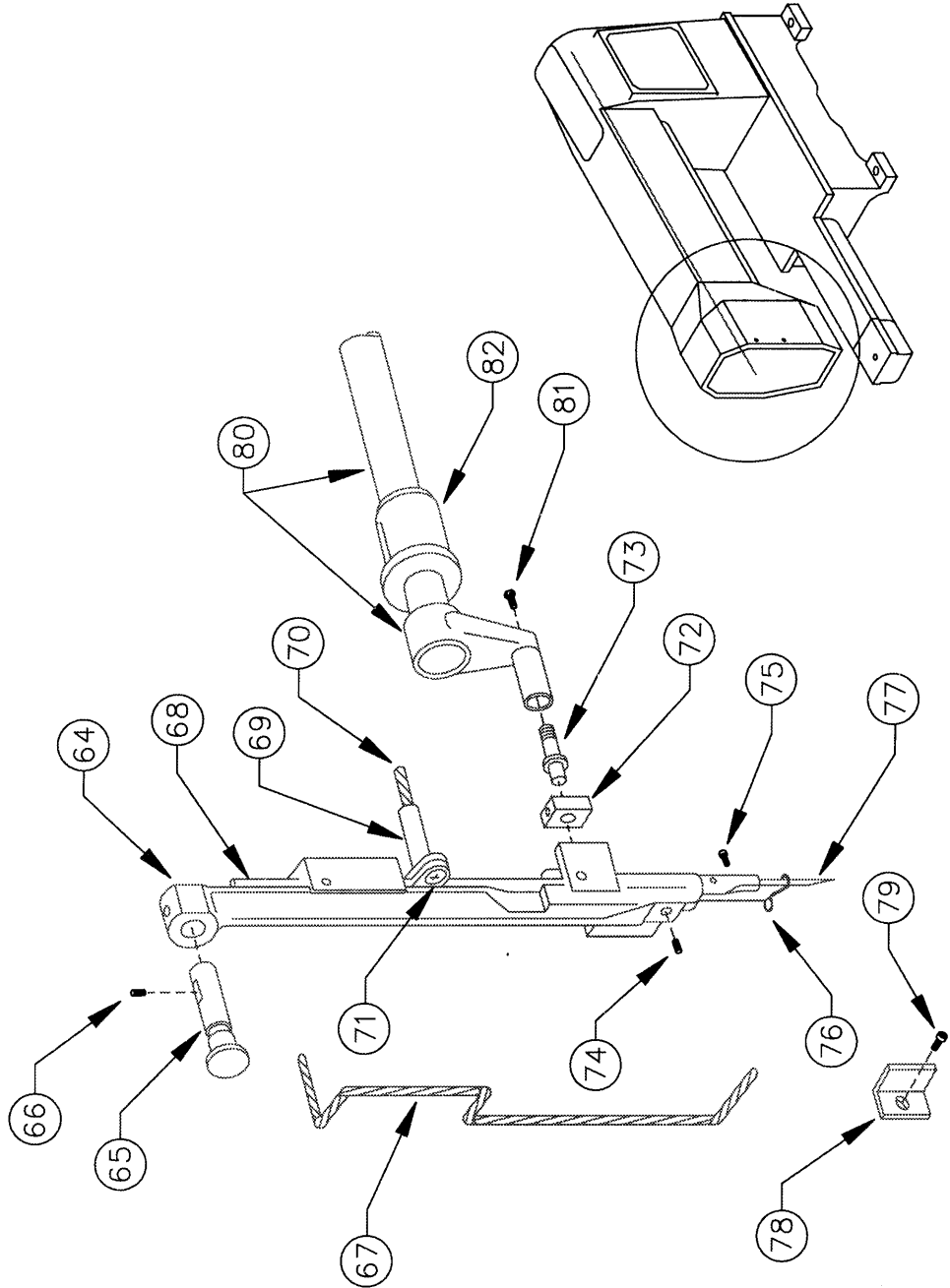
PARTS
IDENTIFICATION



SEWING HEAD PARTS - VIEW 2B

SEWING HEAD PARTS - VIEW 2B			
ITEM	PART NO.	DESCRIPTION	QTY.
32	P661094	M6 X 10 X 1.0 SOCKET SETSCREW	3
46	P661112	OIL PAD	2
50	P661038	M6 X 6 X 0.8 SOCKET SETSCREW	4
51	ZP701120	NPS SENDER ASSEMBLY	1
53	P413602	MIDDLE ARM SHAFT BUSHING	1
54	P661125	M6 X 8 X 1.0 SOCKET SETSCREW	2
55	P413751	FEED COLLAR	1
56	P413609	1/4-40 X 6 SLOT SETSCREW	2
57	P661128	SPIRAL ARM SHAFT GEAR	1
58	P413609	1/4-40 X 6 SLOT SETSCREW	2
59	P661130	REAR ARM SHAFT BEARING	1
60	P661131	ARM SHAFT BEARING COLLAR	1
61	P661133	BALANCE WHEEL	1
63	P661135	5/16-24X15 BALANCE WHEEL ADJUSTING SCREW	1

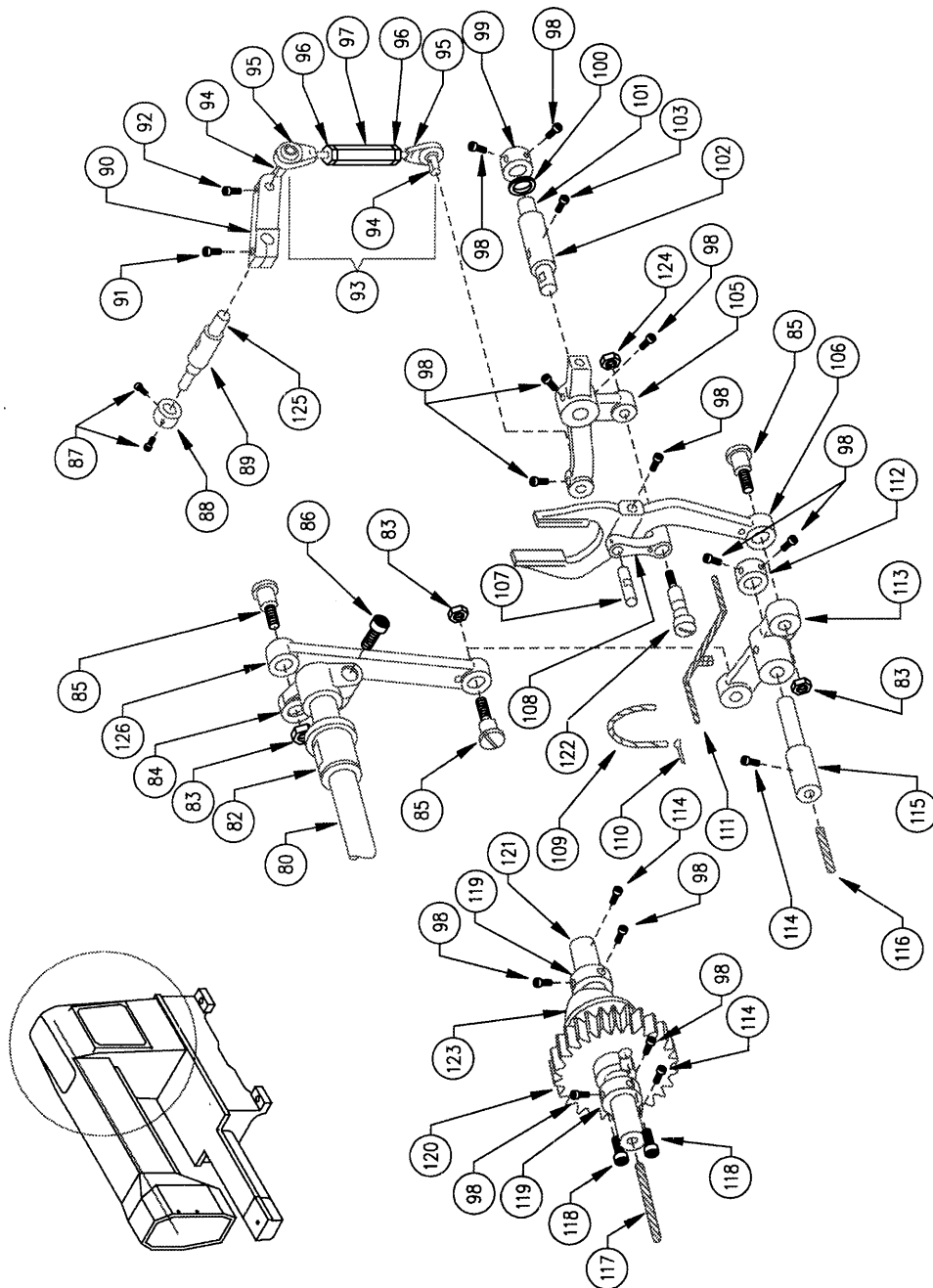
PARTS
IDENTIFICATION



SEWING HEAD PARTS - VIEW 3A

SEWING HEAD PARTS - VIEW 3A			
ITEM	PART NO.	DESCRIPTION	QTY.
64	P642510	NEEDLE BAR FRAME	1
65	P413527	HINGE PIN	1
66	P661094	M6 X 10 X 1.0 SOCKET SETSCREW	1
67	P661139	3.5 DIAMETER X 270 LONG OIL WICK	1
68	P661144	NEEDLE BAR	1
69	P413278	NEEDLE BAR CONNECTING STUD - COMES W/ P413279	1
70	P661147	3.5 DIAMETER X 35 LONG OIL WICK	1
71	P413279	SCREW	1
72	P413330	NEEDLE BAR FRAME SLIDE BLOCK	1
73	P413328	NEEDLE BAR FRAME BLOCK STUD	1
74	P661041	M4 X 4 X 0.7 SOCKET SETSCREW	1
75	P413535	NEEDLE SCREW	1
76	P413860	LOWER ARM THREAD GUIDE	1
77	SEE CATALOG	NEEDLE	1
78	P413308	NEEDLE BAR FRAME POSITION BRACKET	1
79	P661141	M4 X 6 X 0.7 SOCKET CAP SCREW	1
80	P661150	NEEDLE BAR ROCK FRAME SHAFT	1
81	P413329	SETSCREW	1
82	P661154	ROCK FRAME SHAFT BUSHING	2
83	ZP641501	MULTI EMBLEM CONVERSION ASSEMBLY (NEEDLE BAR FRAME...)	1

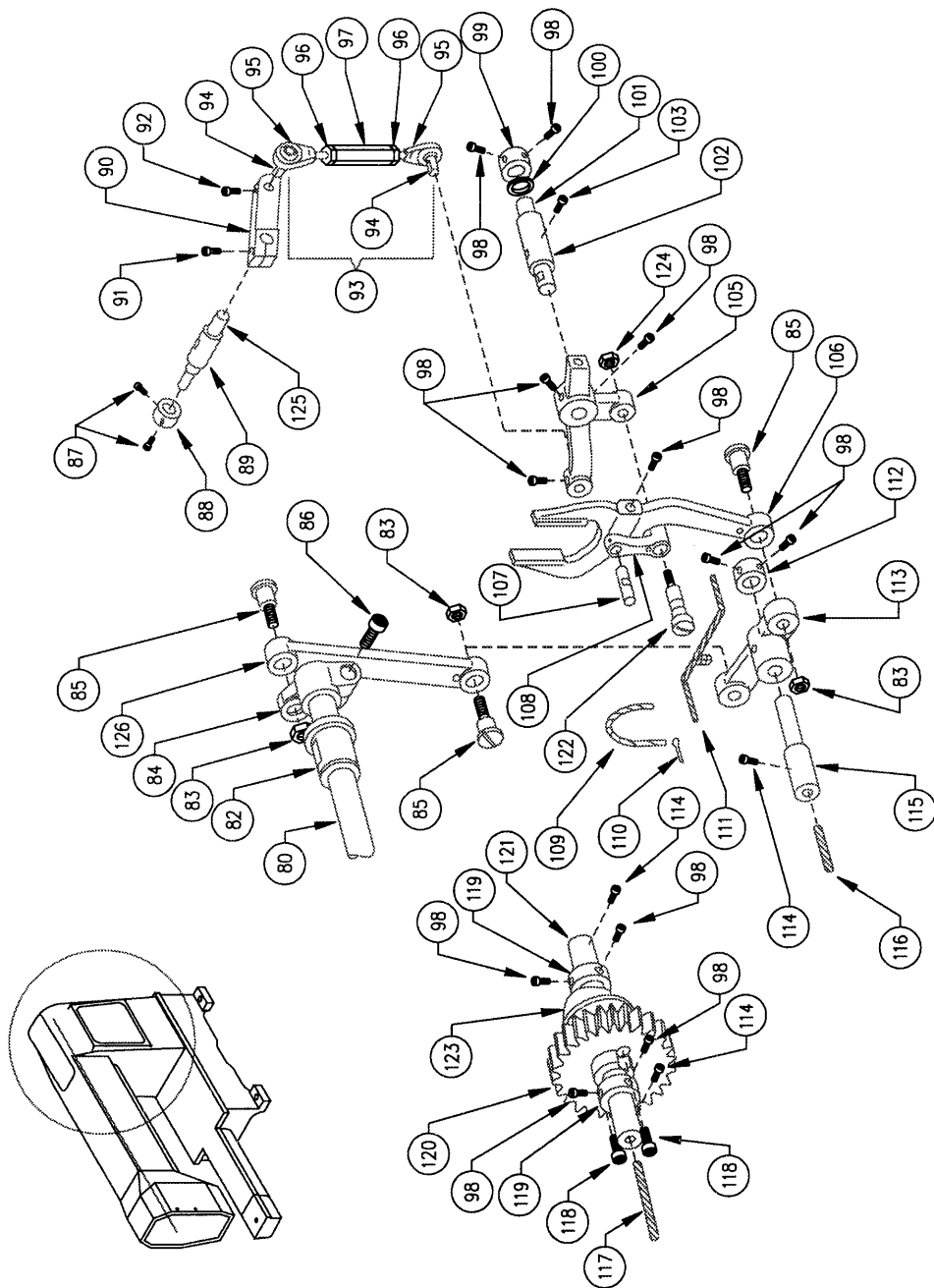
PARTS
IDENTIFICATION



SEWING HEAD PARTS - VIEW 3B

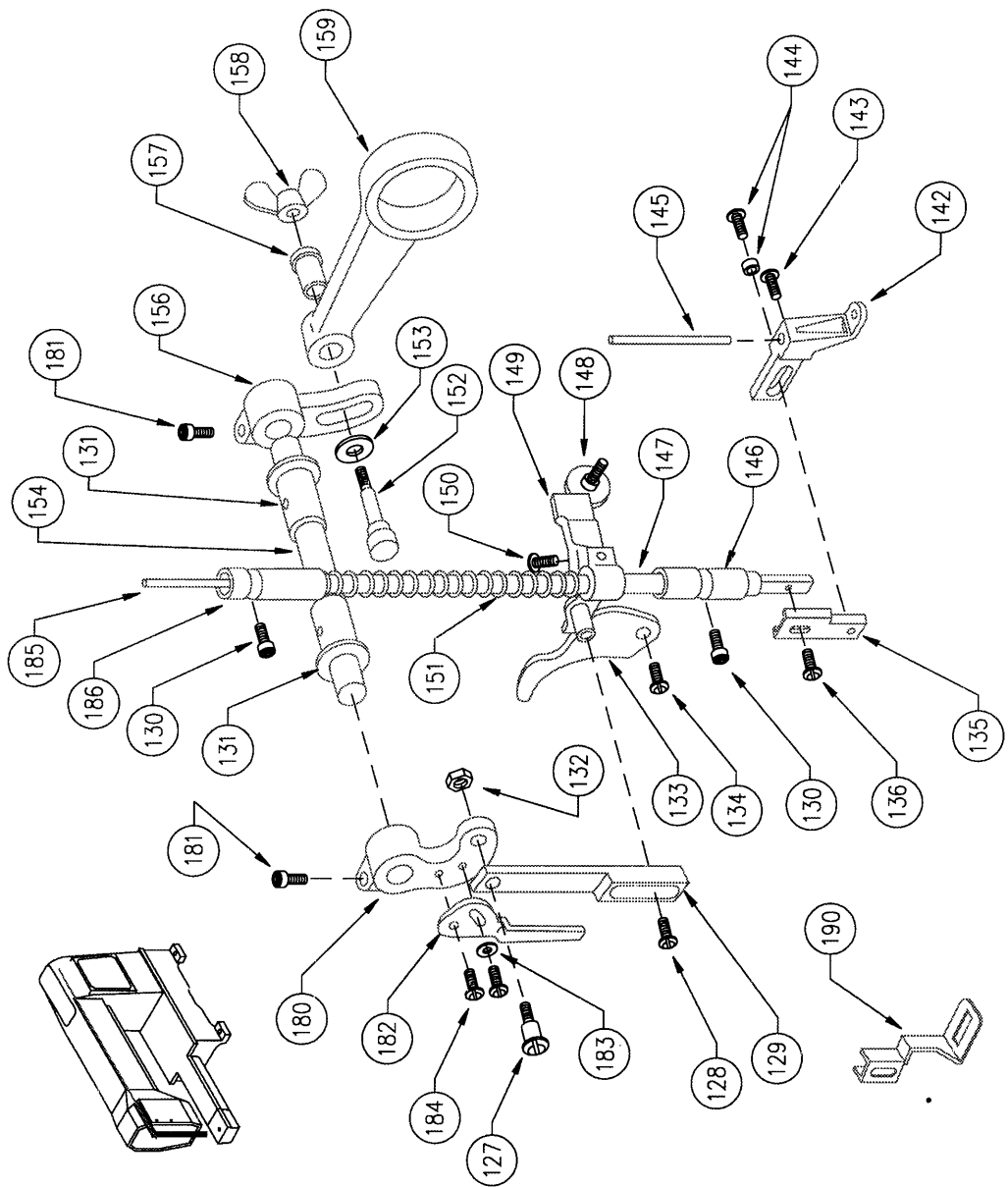
SEWING HEAD PARTS - VIEW 3B			
ITEM	PART NO.	DESCRIPTION	QTY.
80	P661150	NEEDLE BAR ROCK FRAME SHAFT	1
82	P661154	NEEDLE BAR ROCK FRAME SHAFT BUSHING	2
83	P413247	HINGE NUT	2
84	P661155	NEEDLE BAR SHAFT CRANK	1
85	P413660	HINGE SCREW	3
86	P661156	M6 X 20 X 1.0 SOCKET CAP SCREW	1
87	P661195	COLLAR SETSCREW	2
88	P661194	COUPLING SHAFT COLLAR	1
89	P413735	COUPLING DRIVE BUSHING	1
90	P661190	LIFTING CRANK	1
91	P661024	M4 X 12 X 0.7 SOCKET CAP SCREW	1
92	P661041	M4 X 4 X 0.7 SOCKET SETSCREW	1
93	P661184	STITCH WIDTH ROD ASSEMBLY	1
94	P413776	BEARING PIN	2
95	P413775	BEARING PIN CONNECTING BRACKET	2
96	P413206	LOCK NUT	2
97	P661185	STITCH WIDTH ARM	1
98	P661163	M4 X 5 X 0.8 SOCKET SETSCREW	12
99	P661182	COLLAR	1
100	P661181	WAVEY WASHER	1
101	P413763	SUPPORT SHAFT	1
102	P413764	SUPPORT SHAFT BUSHING	1
103	P551984	M6 X 10 X 1.0 SOCKET SETSCREW	1
105	P661175	STITCH WIDTH REGULATING ARM	1
106	P413758	STITCH WIDTH CAM FOLLOWER	1
107	P413760	SHAFT	1
108	P413759	PIVOT LOCK	1
109	P661171	3.5 DIAMETER X 75 LONG OIL WICK	1
110	P413585	COTTER PIN	1

PARTS
IDENTIFICATION



SEWING HEAD PARTS - VIEW 3B			
ITEM	PART NO.	DESCRIPTION	QTY.
111	P661167	3.5 DIAMETER X 200 LONG OIL WICK	1
112	P661162	THRUST COLLAR	1
113	P413782	PIVOT CONNECTING BRACKET	1
114	P661094	M6 X 10 X 1.0 SOCKET SETSCREW	3
115	P413783	PIVOT SHAFT	1
116	P661095	3.5 DIAMETER X 45 LONG OIL WICK	1
117	P661201	3.5 DIAMETER X 100 LONG OIL WICK	1
118	P661008	M5 X 14 X 0.8 SOCKET CAP SCREW	2
119	P661202	SHAFT COLLAR	2
120	P413752	STITCH WIDTH DRIVE GEAR	1
121	P413754	STITCH WIDTH CAM SHAFT	1
122	P661173	PIVOT LINK SHOULDER SCREW	1
123	P413753	STITCH WIDTH CAM	1
124	P661174	15/64-28 HEX NUT	1
125	P413779	COUPLING DRIVE SHAFT	1
126	P413784	NEEDLE BAR ROCK SHAFT CRANK CONNECTOR	1

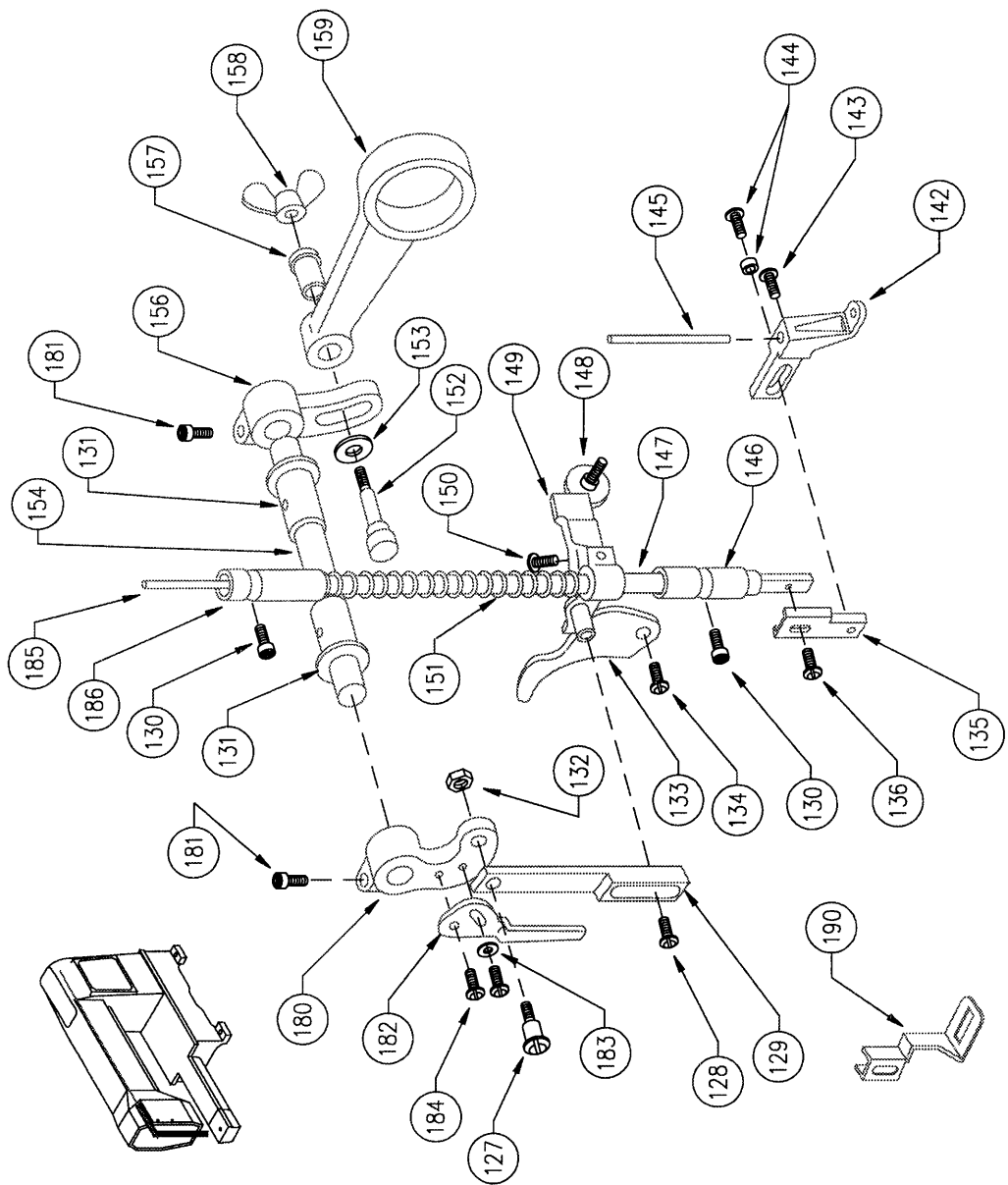
PARTS
IDENTIFICATION



SEWING HEAD PARTS - VIEW 4A

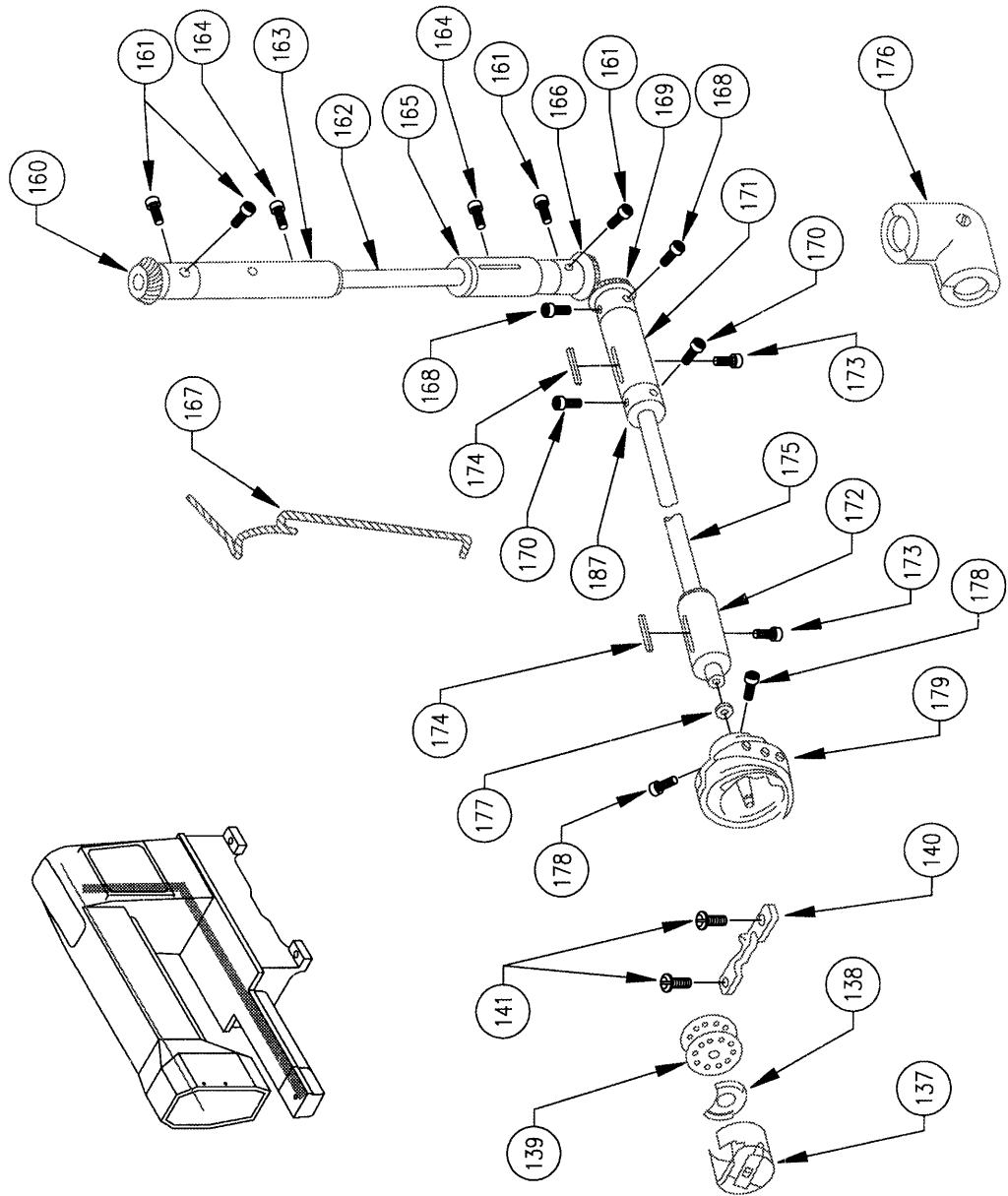
SEWING HEAD PARTS - VIEW 4A			
ITEM	PART NO.	DESCRIPTION	QTY.
127	P413539	7/32"-32 STUD SCREW	1
128	P661237	3/16"-32 CAP SCREW	1
129	P661234	VIBRATING ECCENTRIC CAM ROD	1
130	P661221	M6 X 8 SETSCREW	2
131	P413260	VIBRATING ECCENTRIC CAM SHAFT BUSHING	2
132	P413249	NUT	1
133	P661222	PRESSER BAR LIFT LEVER	1
134	P661223	3/16"-32 STUD SCREW	1
135	P661231	VIBRATING PRESSER FOOT GUIDE BAR BRACKET	1
136	P413847	9/64"-40 X 8 SETSCREW	1
142	P641503	VIBRATING PRESSER FOOT	1
143	P840045	4-40X3/16 SOCKET	1
144	P661233	9/64"-40 VIBRATING PRESSER FOOT STUD SCREW	1
145	P642501	VIBRATING PRESSED FOOT GUIDE BAR (JUMP FOOT ROD)	1
146	P661220	PRESSER BAR LOWER BUSHING	1
147	P661217	PRESSER BAR	1
148	P661226	1/4"-24 GUIDE SCREW	1
149	P661224	PRESSER BAR BRACKET	1
150	P661225	11/64"-32 SETSCREW	1
151	P661227	PRESSER BAR SPRING	1
152	P661210	M5 JOINT SCREW	1
153	P661209	DB-7L JOINT WASHER	1
154	P413788	VIBRATING ECCENTRIC CAM SHAFT	1
156	P661206	VIBRATING ECCENTRIC CAM SHAFT REAR ADJUSTMENT ARM	1
157	P413474	JOINT BUSHING	1
158	P661211	M5 JOINT NUT	1

PARTS
IDENTIFICATION



SEWING HEAD PARTS - VIEW 4A			
ITEM	PART NO.	DESCRIPTION	QTY.
159	P413472	ECCENTRIC/CAM	1
180	P661212	VIBRATING ECCENTRIC CAM SHAFT FRONT ADJUSTMENT ARM	1
181	P661207	M6 X 15 SETSCREW	1
182	P701102	RESET LEVER, 900XLC	1
183	P661216	M4 WASHER	1
184	P661045	9/64"-40 X 8 RESET LEVER SETSCREW	2
185	P661218	3.5 X L150 OIL WICK	1
186	P413284	PRESSER BAR UPPER BUSHING	1
190	P661269	LARGE PRESSER FOOT	1

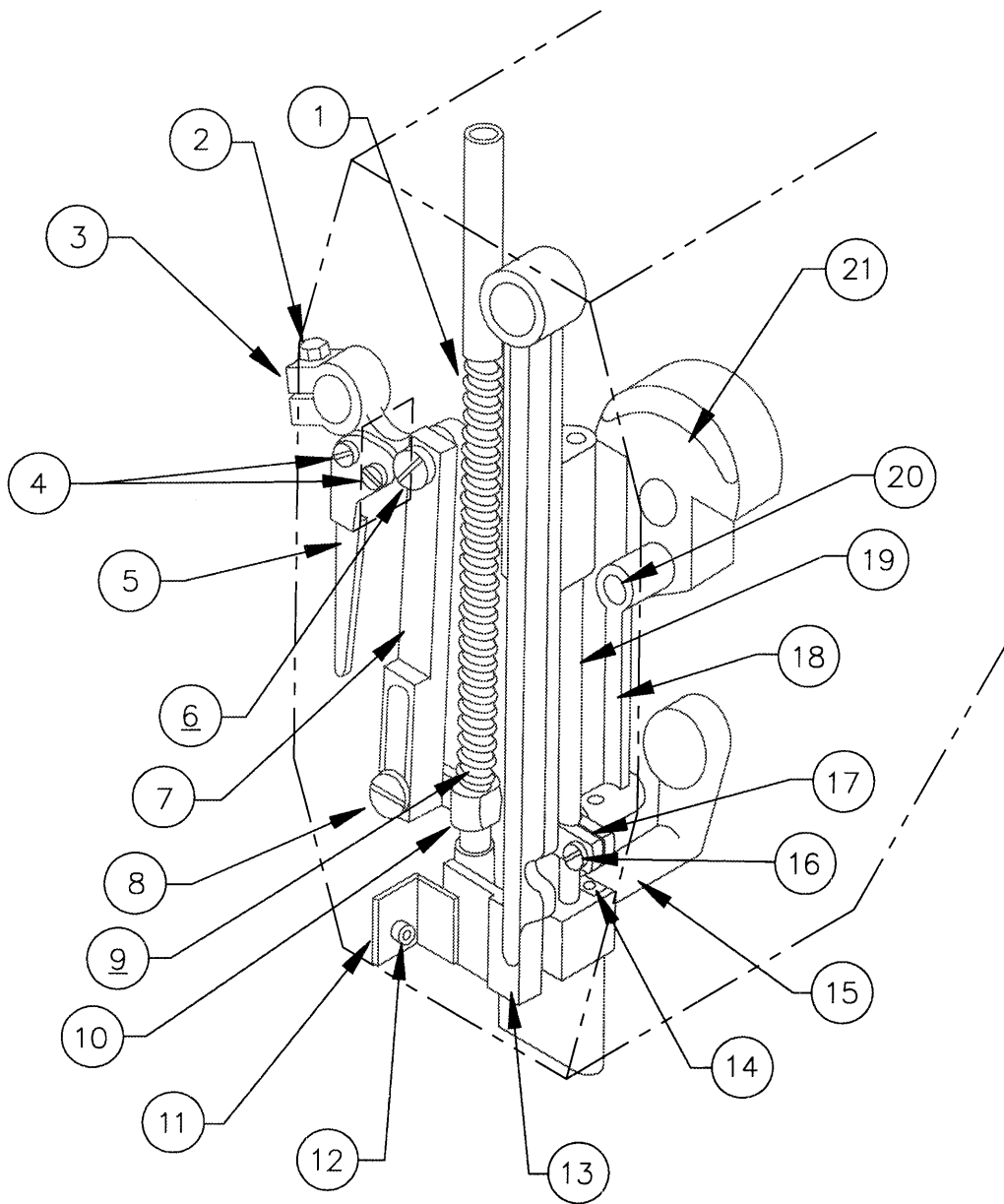
PARTS
IDENTIFICATION



SEWING HEAD PARTS - VIEW 4B

SEWING HEAD PARTS - VIEW 4B			
ITEM	PART NO.	DESCRIPTION	QTY.
137	P413830	BOBBIN CASE ASSEMBLY	1
138	P661275	XL OVERSPRING PROTECTOR	1
139	P413670	BOBBIN	1
140	KC220641	LONG POSITION FINGER	1
141	P661050	9/64" - 40 X 8 SETSCREW	1
160	P661243	ARM SHAFT UPRIGHT SPIRAL GEAR	1
161	P661244	1/4" - 40 X 5 SETSCREW	4
162	P661238	ARM SHAFT UPRIGHT	1
163	P413614	UPPER ARM SHAFT UPRIGHT BUSHING	1
164	P661038	M6 X 6 SETSCREW	2
165	P413615	LOWER ARM SHAFT UPRIGHT BUSHING	1
166	P661245	LOWER ARM SHAFT GEAR	1
167	P661108	3.5 X L160 OIL WICK	1
168	P661244	1/4" - 40 X 5 SETSCREW	2
169	P661247	LOWER SHAFT SPIRAL GEAR	1
170	P661256	1/4" - 40 X 4 SETSCREW	2
171	P661252	REAR HOOK DRIVE SHAFT BUSHING	1
172	P661251	FRONT HOOK DRIVE SHAFT BUSHING	1
173	P661096	M6 X 10 SETSCREW	2
174	P661253	HOOK DRIVE SHAFT FELT	2
175	P661250	HOOK DRIVE SHAFT	1
176	P661249	LOWER GEAR COVER ASSEMBLY	1
177	P661259	ROTATING HOOK ASSEMBLY FELT	1
178	P413827	SETSCREW	2
179	P413820	ROTATING HOOK ASSEMBLY	1
187	P661255	HOOK DRIVE SHAFT COLLAR	1
188	P661258	SHORT POSITION FINGER	1

PARTS
IDENTIFICATION



SEWING HEAD PARTS - FRONT VIEW

SEWING HEAD - FRONT VIEW			
ITEM	PART NO.	DESCRIPTION	QTY
1	P661227	PRESSER BAR SPRING	1
2	P661207	M6 X 15 X 10 SOCKET HEAD CAP SCREW	1
3	P661212	ECCENTRIC CAM LINK	1
4	P661045	9/64-40 PAN HEAD SCREW	2
5	P701102	RESET LEVER, 900XLC	1
6	P413539	CONNECTING LINK SHOULDER SCREW	1
7	P661234	PRESSER BAR LIFT LINK	1
8	P661237	LIFT LINK SCREW	1
9	P661217	PRESSER BAR	1
10	P661224	PRESSER BAR GUIDE BILL	1
11	P413308	NEEDLE BAR FRAME POSITION BRACKET	1
12	P661141	M4 X 6 X 0.7 SOCKET HEAD CAP SCREW	1
13	P642510	NEEDLE BAR FRAME	1
14	P413330	NEEDLE BAR FRAME SLIDE BLOCK	1
15	P661150	NEEDLE BAR ROCK FRAME SHAFT	1
16	P413279	SCREW	1
17	P413278	NEEDLE BAR CONNECTING STUD	1
18	P413274	NEEDLE BAR CONNECTING LINK	1
19	P642501	JUMP FOOT ROD	1
20	P413269	NEEDLE BAR CONNECTING LINK STUD	1
21	P661103	NEEDLE BAR CRANK	1

PARTS
IDENTIFICATION